

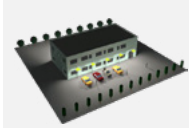


PROJECT	
PRODUCT	
PREPARER	
TYPE	
NOTES	

DESCRIPTION

The WPC LED Wall Pack features a slim, low profile Die-cast aluminum housing and has a corrosion resistant polyester powder coat finish. It has an L70 Lifespan of 100,000 hours and a 80% forward-throw light that minimizes light wasted on walls and sky. A power factor of ≥ 0.95 and IP65 rating for wet locations make the WPC a valuable wall pack for any project. It has a unique funnel heat sink and a separate power supply box and heat sinker for easy installation. It features an independent driver compartment separated from the light engine that optimizes driver lifespan.

SPECIFICATIONS Product Features



Applications: Parking lots, plaza lighting, shopping mall, garden, roadways, site and area Lighting and other general lighting applications.



Construction

This LED wall pack is well constructed and has a corrosion resistant polyester powder coat finish, as well as an IES Type IV optic that is made of UV resistant polycarbonate. It can replace a 450w metal-halide lighting fixture & is also UL approved & DLC Listed.

Installation & Mounting

Luminaire mounting designed for standard J-Box. Can be mounted directly to surface. Features multiple conduit entries.

Controls & Dimming

0-10V Dimming

Warranty

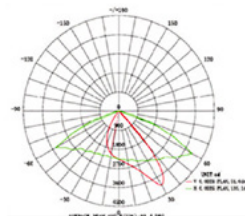
7 Year Limited Warranty

Electrical

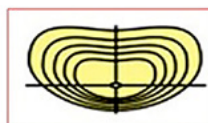
Voltage:
100-277 Volt

Wattage:
20w, 24w, 48w, 80w, 100w, 150w

BEAM ANGLE



85*135DEG

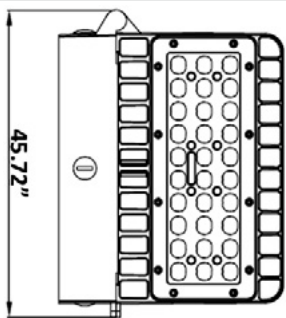
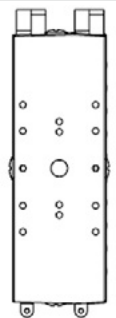
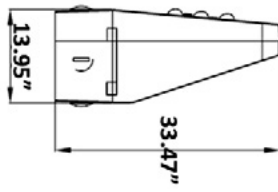
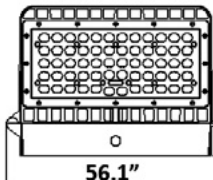
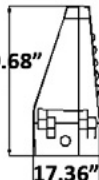

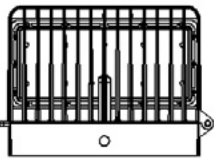


TYPE III (MEDIUM)

Performance Summary

Input Voltage	100-277V
Input Frequency	50/60 Hz
Rated Wattage	20w, 24w, 48w, 80w, 100w, 150w
Efficacy	130 lm/W
CRI	>70
Available CCT	3000K, 4000K, 5000K
Rated Life (L70)	100,000 hrs
IP Rating	IP65
PF	>0.95
Certifications	ETL, DLC, CE, RoHS
Working Temp. (°C)	-40°F to 122°F
LED Light Source	Philips Lumileds 3030


Performance Data

20-48W Size (in)			80-150W Size (in)			
						
45.72"		13.95"	56.1"	39.58"		
		33.47"		17.36"		

Performance Data

MODEL	WATTAGE	CCT	LUMEN	EFFICACY (lm/W)	VOLTAGE
WPC-20W	20watt	3000K, 4000K, 5000K	2,600lm	130 lm/W	100-277vac
WPC-24W	24watt	3000K, 4000K, 5000K	3,120lm	130 lm/W	100-277vac
WPC-48W	48watt	3000K, 4000K, 5000K	6,240lm	130 lm/W	100-277vac
WPC-80W	80watt	3000K, 4000K, 5000K	10,400lm	130 lm/W	100-277vac
WPC-100W	100watt	3000K, 4000K, 5000K	13,000lm	130 lm/W	100-277vac
WPC-150W	150watt	3000K, 4000K, 5000K	19,500lm	130 lm/W	100-277vac

Ordering Format

 Sample: **WPC-100W-40-T3**

SERIES	WATTAGE		CCT	VOLTAGE	OPTICS	FINISH*
WPC	20W	24W	30 = 3000K	BLANK = 100-277V	T3	BLANK = Bronze
	48W	80W	40 = 4000K			
	100W	150W	50 = 5000K			

* contact the Nebulite sales team for turnaround time and pricing on finish color customizations