




PROJECT DETAILS BOX	
PROJECT	
PRODUCT	
PREPARER	
TYPE	
NOTES	

DESCRIPTION

The NBPL series Area Light is an aesthetically pleasing outdoor luminaire designed to handle any environment and offer energy savings through its optional NEMA twist-lock photocell and professional grade LEDs. The NBPL is available in 50W, 90W, 100W, 150W, 200W, 300W with color temperatures of 5000K. It features Type II, Type III, Type IV and Type V distributions. Mounting Options for this fixture are: Slip Fitter, Square Pole, Round Pole and Wall Mounts.

SPECIFICATIONS Product Features



Applications: Parking lots, plaza lighting, shopping mall, garden, roadways, site and area Lighting and other general lighting applications.

Construction

The NBPL Series LED Area Light has a Die-Cast Aluminium housing with anti-static powder coat paint. It is designed specifically for outdoor use with an IP65 rating. This allows it to endure severe weather conditions for many years to come.

Electrical

Voltage:
100-277 Volt, 347-480 Volt

Wattage:

50W, 90W, 100W, 150W, 200W, 300W

Installation & Mounting

- Square Pole Arm Mount
- Round Pole Arm Mount
- Slip-Fitter Mount
- Wall Mount/Trunnion Mount

Controls & Dimming

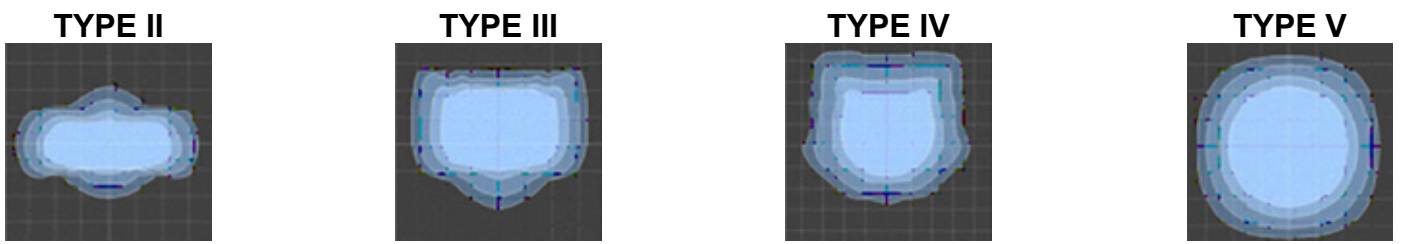
- 0-10 Volt Dimming
- Bluetooth Mesh Control
- Twist-lock Dusk to Dawn PC
- Bi-level Occupancy Sensor

Warranty

7 Year Limited Warranty



BEAM ANGLE



Performance Summary

Input Voltage	100-277V, 347-480HV
Input Frequency	50/60 Hz
Rated Wattage	50W, 90W, 100W, 150W, 200W, 300W
Efficacy	130 lm/W
CRI	>70
Available CCT	5000K
Rated Life (L70)	100,000 hrs
IP Rating	IP66
PF	>0.95
Certifications	ETL, DLC, CE, RoHS, UL, FCC
Working Temp. (°C)	-22°F - 122°F
LED Light Source	SMD 3030


Performance Data

MODEL	WATTAGE	CCT	LUMEN	EFFICACY (lm/W)	VOLTAGE
NBPL-50W	50watt	5000K	6,500lm	130 lm/W	100-277vac
NBPL-90W	90watt	5000K	11,700lm	130 lm/W	100-277vac
NBPL-100W	100watt	5000K	13,000lm	130 lm/W	100-277vac
NBPL-150W	150watt	5000K	19,500lm	130 lm/W	100-277vac
NBPL-200W	200watt	5000K	26,000lm	130 lm/W	100-277vac
NBPL-300W	300watt	5000K	39,000lm	130 lm/W	100-277vac

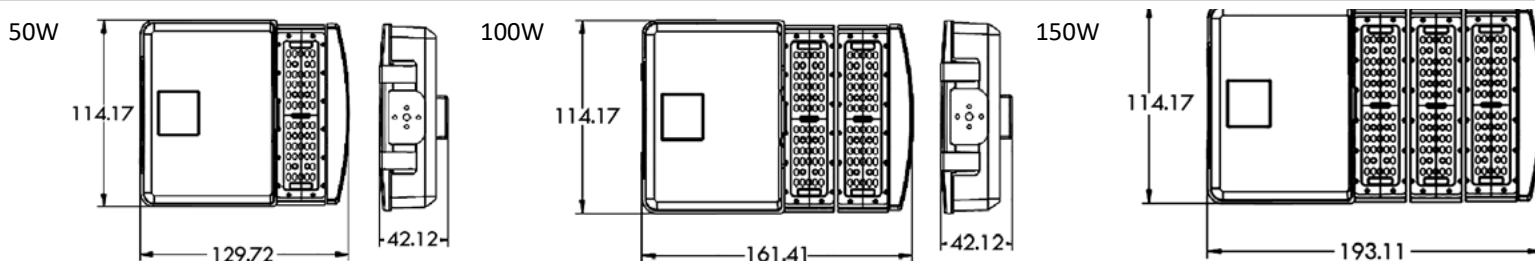
Ordering Format

Sample: **NBPL-90W-50-HV-T3-ARMT2-PSJL**

SERIES	WATTAGE		CCT	VOLTAGE	OPTICS		FINISH*
	50W	90W			T2	T3	
NBPL	100W	150W	50 = 5000K	V = 100-277V HV = 347-480HV	T4	T5	BLANK = Bronze WH = White BLK = Black SVL = Silver
	200W	300W					

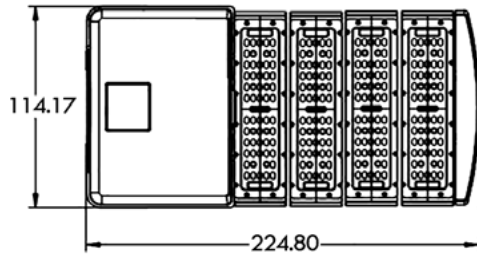
* contact the Nebulite sales team for turnaround time and pricing on finish color customizations

MOUNTING				OPTIONS	
SF	2 3/8" Slip Fitter	ARMT2	Adjustable Arm Mount (Round)	PSJL	JL-205C Photocell Sensor
SF2	3" Slip Fitter	WB	Wall Mount	LRD-309S	Line Voltage Smart DIM OCC
ARMT1	Adjustable Arm Mount (Square)	SDXX	SD05C-277 / SD10C-480	PR7	JL-204XA-14

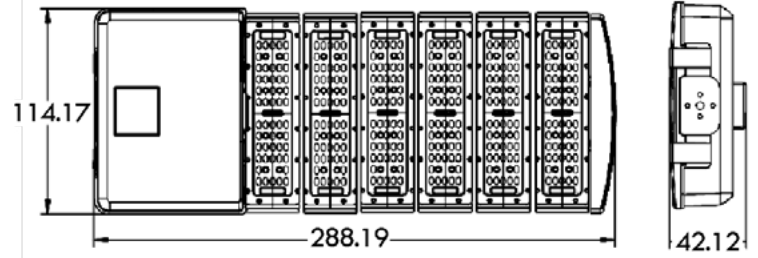
Dimensions (in)


Dimensions (in)

200W



300W


Mounting Options

SF	SF2	ARMT1	ARMT2	WB
2 3/8" Slip Fitter	3" Slip Fitter	Adjustable Arm Mount (Square)	Adjustable Arm Mount (Round)	Wall Mount

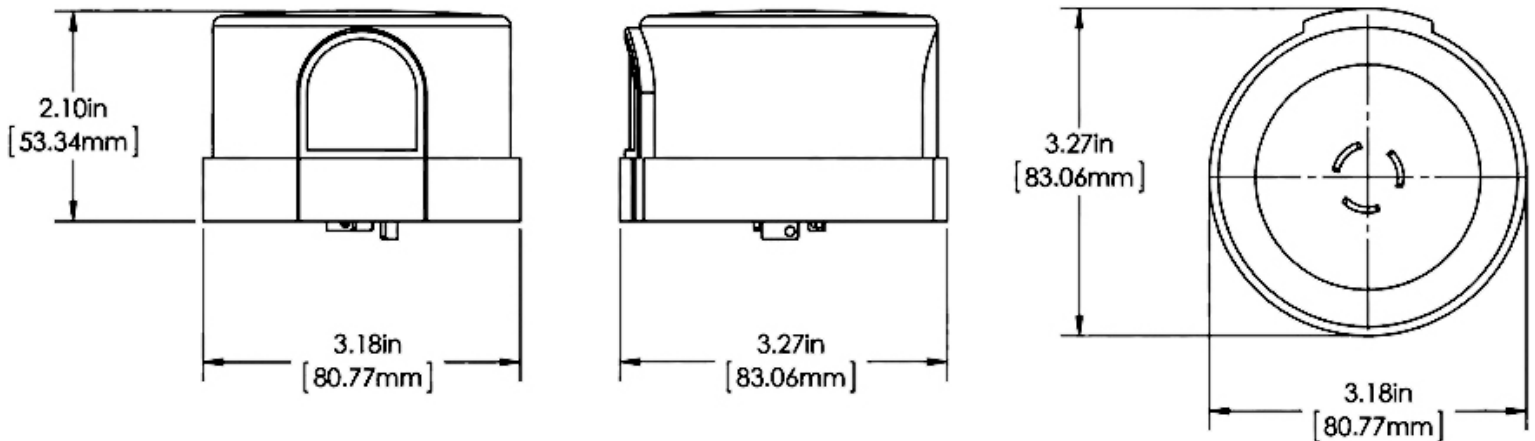
SF	SF2
2 3/8" Slip Fitter	3" Slip Fitter

ARMT1	ARMT2
Adjustable Arm Mount (Square)	Adjustable Arm Mount (Round)

WB
Wall Mount
2 3/8" Slip Fitter ARMT1 Adjustable Arm Wall Mount ARMT2 Bracket for Round Pole

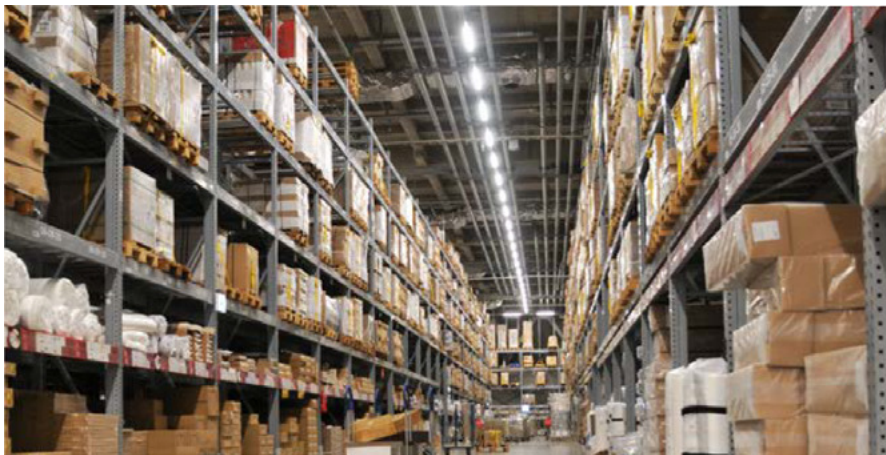
120-277V Twist Lock Photocell Light Sensor Switch JL-205C


Product Model	JL-205C
Rated Voltage	110-277VAC
Applicable Voltage Range	105-305VAC
Rated Frequency	50/60Hz
Rated Loading	1000W Tungsten; 1800VA Ballast
Power Consumption	0.5W [STD] / 0.9W [HP]
On/Off Level	16Lx On 24Lx Off
Ambient Temp.	-40°C ~ +70°C
Related Humidity	99%
Overall Size	84(Dia.) x 66mm
Weight Approx.	110g [STD] / 125g [HP]

Dimensions

SD05C-277/SD10C-480 Series Pole Surge Protector


UL 1449 Type 4 CA and IEC/EN 61643-11 T2 standards
With thermal protection
Series or Parallel
In: 5kA, 10kA
UOC/Vmax: 10kV, 20kV
I _{max} : 10kA, 15kA, 25kA
GDT for common mode optional
Rated voltage: 120V, 277V, 347V, 480V
14 AWG wire, lower clamping voltage
IP 66

Photocell Receptacle 7 JL-240XA-14


LRD-309S Line Voltage SmartDIM Occupancy Sensor

Overview & Features

The LRD-309S is a low-profile, fixture integrated occupancy sensor designed to control 0-10V dimmable ballasts and LED drivers. This 2-way, remote-programmable sensor is capable of providing four different occupancy sensing control schemes with fully adjustable multi-level high/low StepDIM or SmartDIM control to the integrated fixtures. SmartDIM is a state-of-the-art automatic dimming control technology developed by IR-TEC, which enables the sensor to maintain the overall ambient light level within the preset range through a smooth, flawless continuous dimming control to the connected lighting. The LRD-309S also employs an exclusive Hybrid Switching technology to allow switching the LED driver with high inrush current, up to 500,000 cycles.

The sensor will turn on the integrated lighting or ramp up to the programmed high dim or SmartDIM level when it detects the presence of an occupant or vehicle, and automatically dim the light down to the low level or shut off after the area is vacated for a period of time. The sensor can be operating even in the coldest of environments down to -40°F/°C. A two-way IR handheld remote programmer (SRP-280) allows you to easily configure sensor control schemes and settings, or download the existing settings of the sensor mounted up to 50 ft high from the floor. Four EZ-SET profiles can be stored in the SRP-280 for quick setup and parameter adjustment of multiple sensors.

Omni-directional quad element infrared sensor	Digital data control ambient light sensor built-in
2-way IR remote programmable sensor setting	Hybrid switching for high inrush current driver
4 occupancy sensing control schemes available	SmartDIM or multi-level high/low dim control
Remote programmable SmartDIM level setting	Remote programmable range up to 33 ft high
Beeping or light flashing acknowledgement	Available with interchangeable lens options
Fixture integrated or 1/2" hole nipple mount	

Application
» Occupancy Sensing Control with 0-10V Multi-level or Continuous Dimming

The LRD-309S sensor can be integrated with an OEM lighting fixture to provide multiple occupancy sensing control schemes with multi-level or continuous dimming by sensing the presence and movements of the occupant and the daylight available in the space. A basic wiring diagram is included at next page for reference. Consult with an IR-TEC team member if a more complex control is required.

LRD-309S Line Voltage SmartDIM Occupancy Sensor

SmartDIM

SmartDIM is an exclusive continuous dimming control algorithm developed by IR-TEC to provide smooth and flawless automatic dimming performance. The output of the controlled lighting will be constantly adjusted to maintain the overall ambient light level within the pre-programmed range by sensing the daylight available in the space.

MODE	DAY ¹	DAY ²	REMARKS
ON/OFF	Vac: OFF Occ: ON/OFF*	Vac: OFF Occ: ON	For non-dimmable lighting *ALS enabled
OSO	Vac: LD Occ: SD/HD	Vac: LD Occ: SD/HD	LD: Low Dim HD: High Dim SD: SmartDIM
OSLA	Vac: OFF Occ: SD/OFF	Vac: OFF Occ: SD/HD	
OSLATO	Vac: OFF Occ: SD/OFF	Vac: LD*-OFF Occ: SD/HD	*Low Dim during Time Off delay

ON/OFF: ON-OFF Switching

OSO: Occupancy Sensing Only

OSLA: Occupancy Sensing at Low Ambient

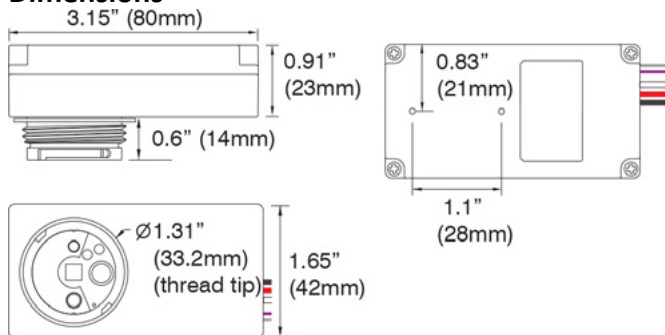
OSLATO: Occupancy Sensing at Low Ambient with Time-Off

Vac : Vacant, **Occ :** Occupied

1 While ambient light level is higher than the threshold.

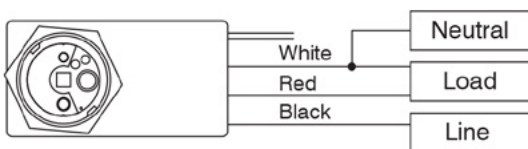
2 While ambient light level is lower than the threshold.

Dimensions

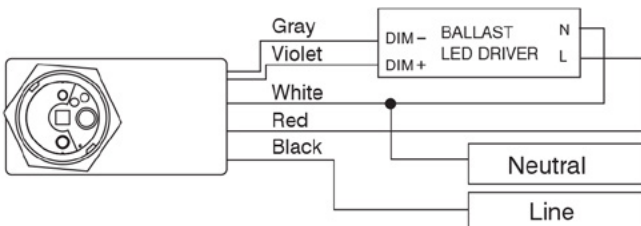


Wiring Diagram

Non-dimmable Lighting (ON-OFF Switching only)



0-10V Dimmable Lighting



Control Schemes

The LRD-309S can be programmed by the SRP-280 to control the lighting in one of the following control schemes with various conditions as set. For more details about specific control scheme, please visit www.irtec.com or contact an IR-TEC team member.

Lens Options

The LRD-309S requires lens, following lens options available provide different coverage at different mounting height (H). Please purchase lens separately.

LENS		SHAPE	MOUNTING HEIGHT		COVERAGE
a	Standard	Cone	8-15 ft.	2.4-4.5m	2X height
b	Extra wide	Cone	8-10 ft.	2.4-3.0m	6X height
c	High bay	Cone	15-30 ft.	4.5-9.0m	3X height
d	Standard	Round	8-20 ft.	2.4-6.0m	2X height
f	Extra wide	Dome	8-20 ft.	2.4-6.0m	4X height
g	Aisle way	Arch	8-20 ft.	2.4-12.0m	3X height
h	High bay	Dome	30-50 ft.	2.4-15.0m	1X height
i	Long aisle	Arch	8-10 ft.	2.4-3.0m	6X height

Specifications

Power Supply	120/277VAC, 50/60Hz
Maximum load @ 40°F~131°F (-40°C~55°C)	Incandescent/Halogen – 800/1200W(VA)@120/277V
	Fluorescent Ballast/CFL – 800/1200W(VA)@120/277V
	Ballast Electronic (LED) – 540/1200VA@120/277V
Maximum load @ 131°F~158°F (55°C~70°C)	Incandescent/Halogen – 500/750W(VA)@120/277V
	Fluorescent Ballast/CFL – 500/750W(VA)@120/277V
	Ballast Electronic (LED) – 500/750VA@120/277V
Infrared sensor	Digital quad-element pyroelectric sensor
Photo sensor	Digital ambient light sensor
HIC protection	Max. 80A for 16.7msec.
Dim control output	0-10V, ±5%, isolated, max. 25mA
Detectable speed	1~10 ft./sec. (0.3 ~ 3 m/sec.)
Mounting height	Subject to the lens type applied.
Detection range	Subject to the lens type and mounting height
Remote range	33 ft. (10m) indoor, no backlight
Op. humidity	Max. 95% RH
Op. temperature	-40°F~158°F (-40°C~70°C)
Dimensions	3.15"x1.65"x1.46" (80x42x37mm)