



**Project Details**

PROJECT	
DATE	
TYPE	
PREPARER	



The LED Linear High Bay Light is the perfect energy-efficient indoor lighting solution for industrial, commercial, or location with high ceilings, like warehouses, gyms, barns, and supermarkets. The linear footprint is especially ideal for replacing fluorescent high bays that are used to light aisles, lanes, or hallways. This Linear high bay light allows you to adjust the brightness over your space and save energy with a 0-10V dimmer.

# SPECIFICATIONS Product Features

## Construction

- Galvanized steel body
- Powder coat white finish
- Diffused Polycarbonate formed lens

## Installation & Mounting

- Surface mounted
- Suspension chain (Included)
- Conduit pendant mount
- Wire Guards

## Controls & Dimming

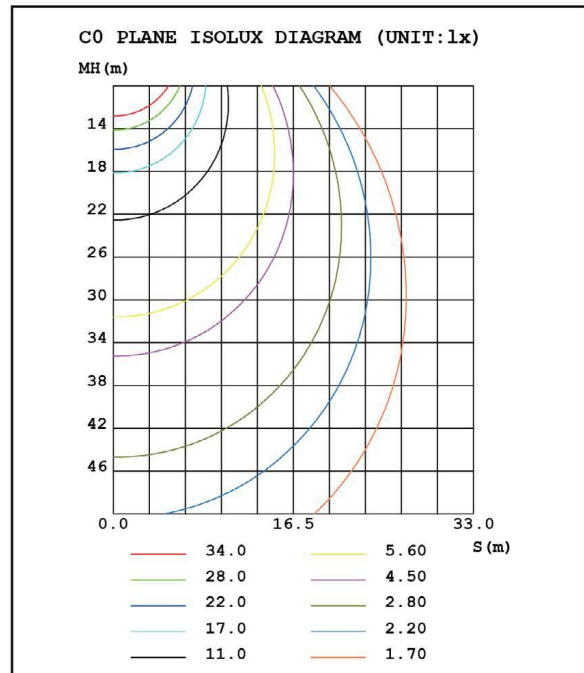
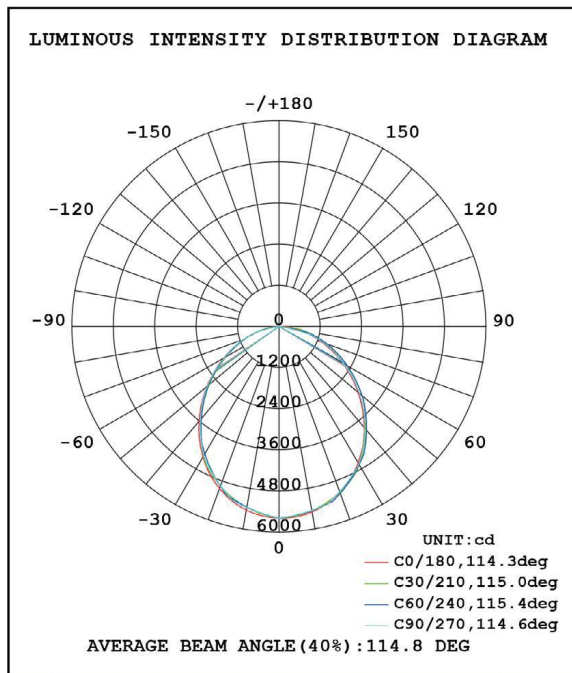
- 0-10V & 12V Aux
- Bluetooth Mesh Controls
- Daylight sensor
- 90 Mins Emergency Back up

# PERFORMANCE Summary

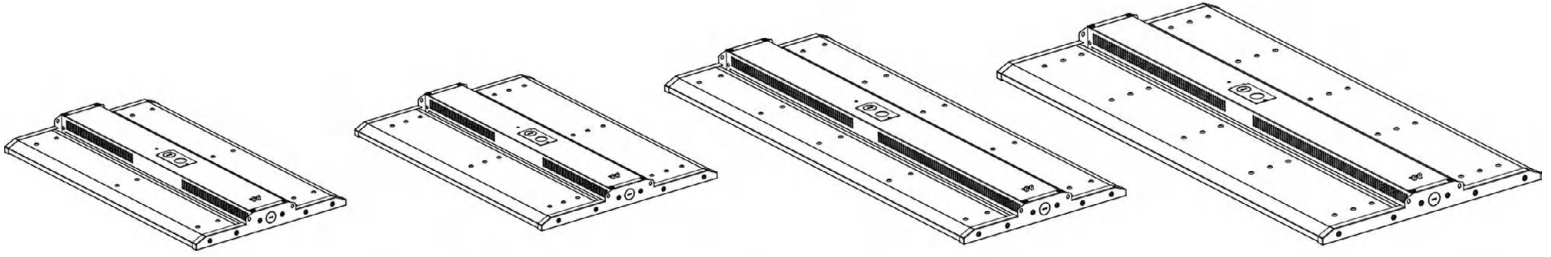
Input Voltage	100-277V
Input Frequency	50/60 Hz
Rated Wattage	2FT: 80W/100W/140W ( <b>Selectable</b> ) 2FT: 165W/220W ( <b>Selectable</b> ) 4FT: 165W, 225W ( <b>Selectable</b> ) 4FT: 325W
Efficacy	130lm/W
CRI	>80
Available CCT	3500K, 4000K, 5000K
Rated Life (L70)	50,000 hrs
IP Rating	IP20
PF	>0.95
Certifications	DLC, ETL, RoHS, UL, CE
Working Temp. (°F)	-22°F - 122°F
LED Light Source	SMD 3030



# LIGHT DISTRIBUTION Curve



# DIMENSIONS



NB-LHB-2FT/80W/100W/140W

NB-LHB-2FT/165W/220W

NB-LHB-4FT/165W/225W

NB-LHB-4FT/325W

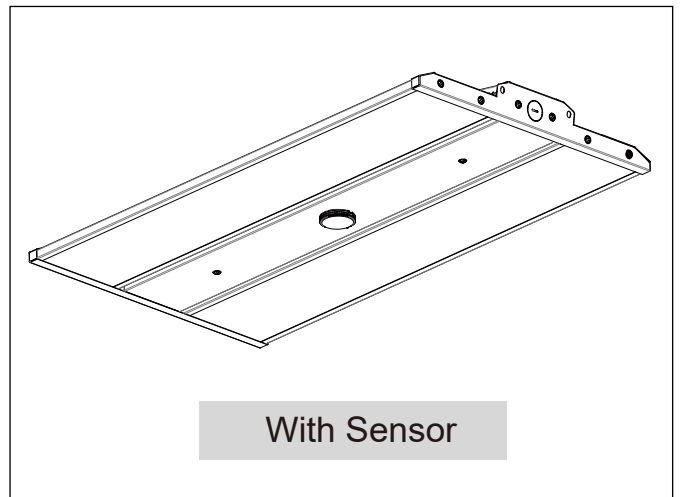
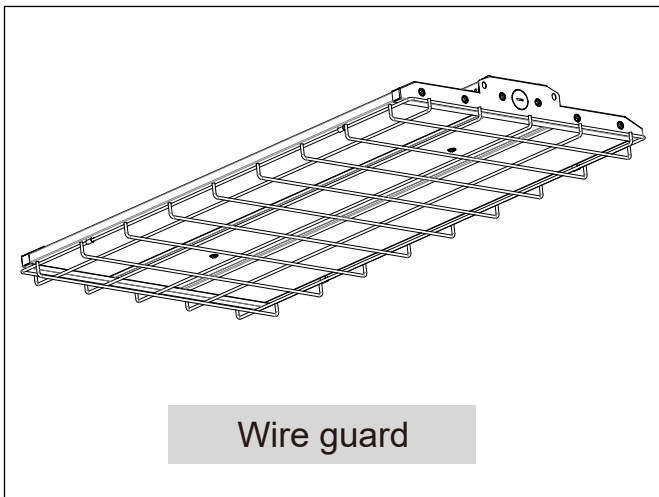
MODEL	L	W	H
NB-LHB-2FT/80W/100W/140W	23.82"	13.3"	1.65"
NB-LHB-2FT/165W/220W	23.82"	17.64"	1.65"
NB-LHB-4FT/165W/225W	45.87"	13.3"	1.65"
NB-LHB-4FT/325W	45.87"	17.64"	1.65"

# PRODUCT Details

**CCT**

3500K    4000K    5000K  
pre-set CCT:5000K

CCT CHANGING: 3500K/4000K/5000K



## PERFORMANCE Data

MODEL	WATTAGE	CCT	LUMEN	EFFICACY (lm/W)	VOLTAGE
NB-LHB-80W/2FT	80W	3500K, 4000K, 5000K	10,400lm	130 lm/W	100-277vac
NB-LHB-100W/2FT	100W		13,000lm		
NB-LHB-140W/2FT	140W		18,200lm		
NB-LHB-165W/2FT	165W		21,450lm		
NB-LHB-220W/2FT	220W		28,600lm		
NB-LHB-165W/4FT	165W		21,450lm		
NB-LHB-225W/4FT	225W		29,250lm		
NB-LHB-325W/4FT	325W		42,250lm		

\* 4FT are special orders from factory, please contact our sales for details

\* Lumen output base on 5000K

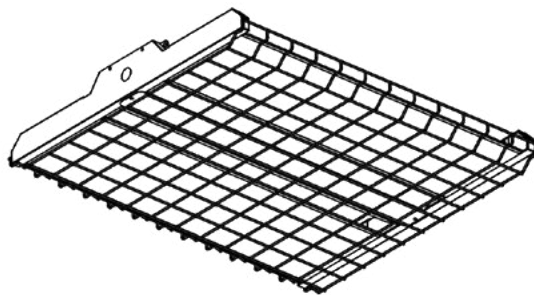
## ORDER Data

Sample: NB-LHB-80W-2FT-30

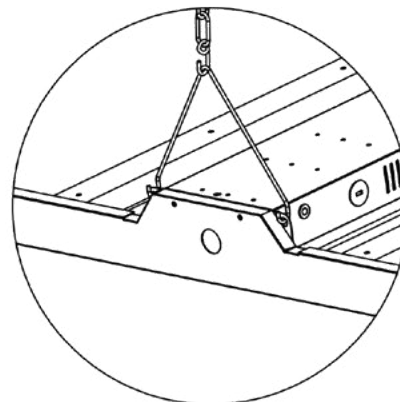
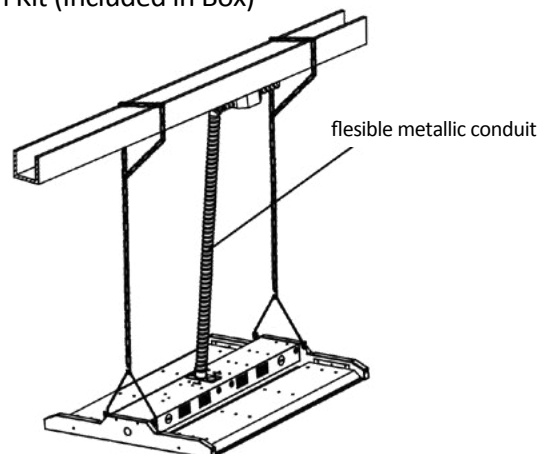
SERIES	WATTAGE		CCT	OPTICS	VOLTAGE	FINISH*
NB-LHB	80W/2FT	100W/2FT	35 = 3500K 40 = 4000K 50 = 5000K	120° Beam Angle	V = 100-277V	BLANK = White
NB-LHB	140W/2FT	165W/2FT				
NB-LHB	220W/2FT	165W/4FT				
NB-LHB	225W/4FT	325W/4FT				

## MOUNTING Options

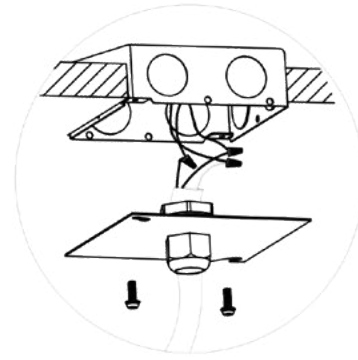
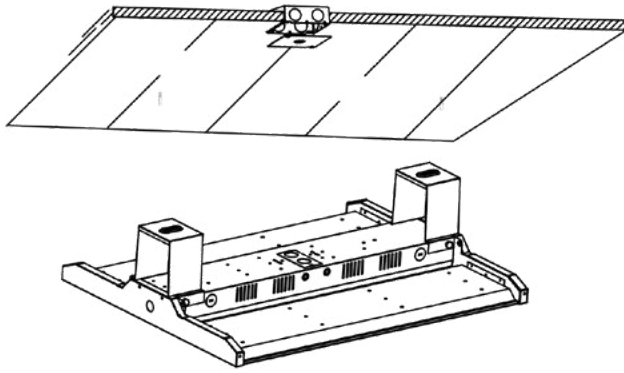
A: Wire Guards



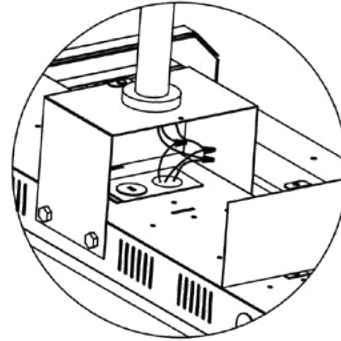
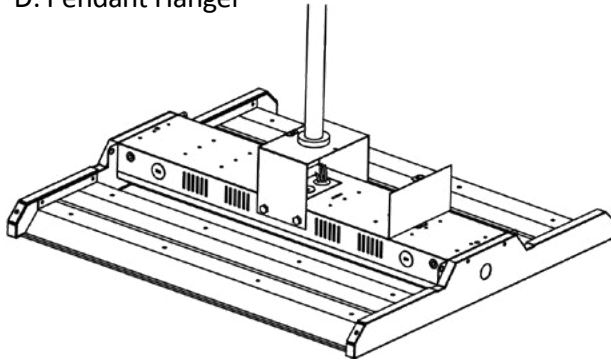
B: Chain Kit (Included in Box)



C: Surface Mounting



D: Pendant Hanger



SENSOR & EM Options

ANT-6	Daylight sensor
RC100	Programming Tool
EM	90 Mins Battery Back-up

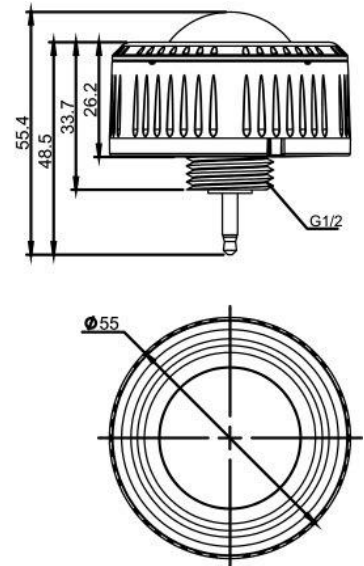
BI-LEVEL PIR Sensor



ANT-6-4T ( sensor )



RC-100





## INTRODUCTION

The ANT-6-4T mounts in an Outdoor lighting fixture and provides multi-level control based on motion and/or daylight contribution. It controls 0-10 VCD LED drivers or dimming ballasts, and is rated for wet and cold locations. All control parameters are adjustable via a wireless Configuration tool Capable of storing.

Power supply	12V-24V DC, >30mA
Dim control output	0-10V, max. 25mA sinking current
Remote range	50ft. (15m) indoor, no backlight
Dim control output	0-10V
Detection radius	20%/50%/75%/100% (1-8m)
Mounting height	Max 40ft. (12m)
Time setting	10s/1min/5min/10min/15min/20min/30min/60min
Light-control	24H/10LUX/30LUX/50LUX
Temperature	-4°F — +140°F (-20°C — +60°C)
IP rating	IP65

Upon powering the device up, the ANT-6-4T will use factory default parameters to operate. If adjustments are needed, “RC-100” Wireless IR Configuration tool must be used.

### **⚠ WARNING**

**NOTE:** Warm up time is 40seconds. After the sensor connects input power first time, the light will keep on 40seconds and then go to dimming to work normally.

**NOTE:** Factory Default Setting: 100% sensitivity, Hold on time: 5min, Daylight sensor is ☀, dimming level: 30% dimming time: 60minutes.

**NOTE:** Any setting changed by remote control, the LED light that sensor connect will on/off as confirm.

## KT-EMRG-LED-20SD-2000-EN /DF Constant Power Emergency Led Driver

Constant Power Emergency LED Driver | 20W Output | 120 –277V Input

<b>Driver Type</b>	Constant Power Emergency LED DRIVER
<b>Max. Output Power</b>	20W
<b>Input Voltage</b>	120-277 Vac ±10%
<b>Number of Outputs</b>	1
<b>Safety Standards</b>	UL 924, complies with CEC efficiency standards
<b>Location</b>	IP20 design for dry and damp locations
<b>Pass-Through Current</b>	3A Maximum
<b>Warranty</b>	5 Years



### Environmental Specifications

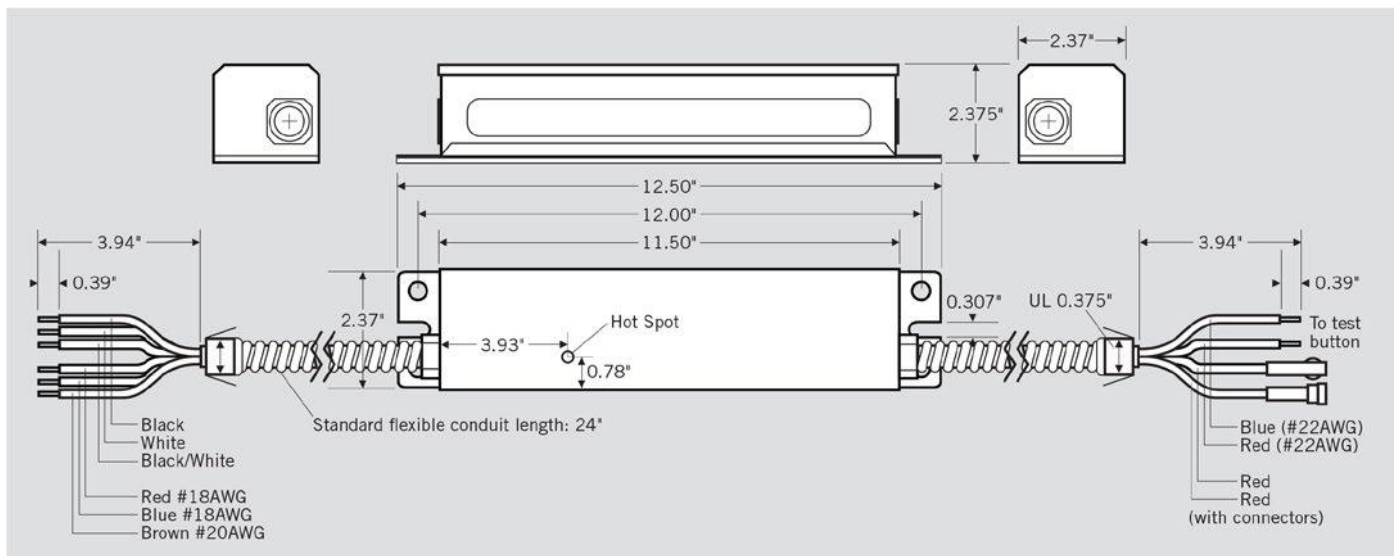
<b>Operating temperature</b>	0°C/32°F to 55°C/131°F
<b>Storage temperature</b>	-20°C/- 4°F to 55°C/131°F
<b>Humidity</b>	5% to 95%
<b>MTBF</b>	TBD
<b>Life rating</b>	TBD
<b>Maximum ambient temperature</b>	55°C/131°F

### Safety and EMC Compliance

<b>UL/cUL</b>
UL 924
<b>FCC, 47CFR Part 15</b>
ANSI C63.4:2009 Class B (consumer limit)
<b>EN61000-3-2</b>
Harmonic current emissions Class C

<b>Input voltage range</b>	120~277Vac ± 10%
<b>Frequency</b>	50/60Hz
<b>Power factor</b>	> 0.9 under 120~277Vac input
<b>Inrush current</b>	20A @ 120V
<b>Max input current</b>	60mA @120V, 35mA @240V, and 30mA @277V
<b>THD</b>	< 20% under 120~277Vac input
<b>Output voltage</b>	20 –60Vdc Class 2 compliant Remarks: the output power is valid for output voltage ≤ 58Vdc; above that power will drop
<b>Output current</b>	1000mA @ 20Vdc, 333mA @ 60Vdc
<b>Output power</b>	20W (constant)
<b>Turn-on Delay Time</b>	< 1s
<b>Overshoot</b>	< 10%
<b>Ripple &amp; Noise (pk-pk)</b>	< 10%
<b>Withstand voltage</b>	Input to output, 2800Vdc, 2mA
<b>Leakage current</b>	Maximum 0.5mA at 277Vac, 60Hz input
<b>Protection</b>	<p><b>Over voltage protection:</b> Hiccup mode. Protection will trigger when load voltage exceeds specified output voltage and will auto recover after the fault mode is removed.</p> <p><b>Over current protection:</b> Hiccup mode. Protection will trigger when load current exceeds specified output current and will auto recover after the fault mode is removed.</p> <p><b>Short circuit protection:</b> Hiccup mode. Protection will trigger when short circuit and will auto recover after the fault mode is removed.</p> <p><b>Over charge and discharge protection:</b> Monitor battery voltage to prevent over charge of the battery and deep discharge which may damage battery.</p>
<b>Emergency Operation</b>	90 minutes
<b>Battery</b>	High-temperature, maintenance-free, LiFePO4 battery, 16Vdc, 5 cell
<b>Recharge Time</b>	24 hours
<b>Battery Charging Current</b>	295mA

**Dimensions and Wiring Specifications**      **Emergency Driver Specifications**



## Environmental Specifications

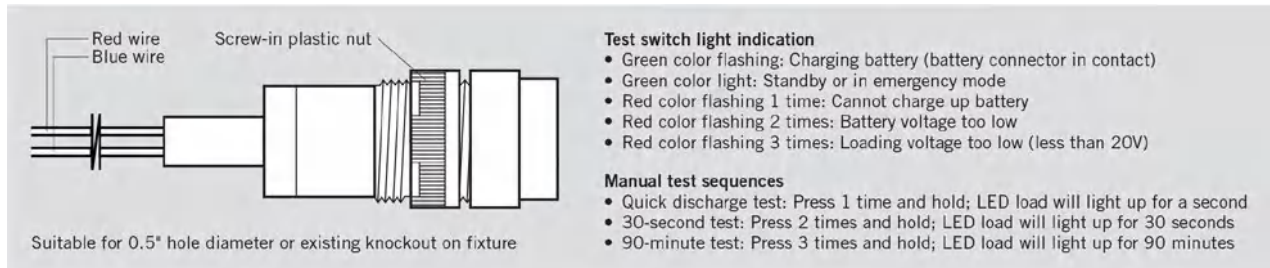
<b>Length (L)</b>	12.50" (317.5mm)
<b>Width (W)</b>	2.37" (60.2mm)
<b>Height (H)</b>	2.375" (60.3mm)
<b>Mounting (M)</b>	12.00" (304.8mm)

## Environmental Specifications

<b>Black, White (Input)</b>	UL1316 #18AWG
<b>Red, Blue (Output to LED module)</b>	UL1316 #18AWG
<b>Brown</b>	UL1430 #20AWG
<b>Red, Black (Battery connection)</b>	UL1015 #18AWG
<b>Red, Blue (Test switch connection)</b>	UL1430 #22AWG

## Dimensions and Wiring Specifications

## Test Switch (2-wire) Specifications



## NOTES

1. To maintain good battery lifespan during storage, recharge emergency driver annually.
2. For operation, wiring, installation, regular check, and maintenance, please refer to installation instruction and Life Safety Code.
3. Automatic Monthly and Annual Testing: Automatically conduct a 30-second test every month and a 90-minute test every year. The test button will flash RED if an issue is detected.
4. Once conducted, the quick discharge test mode requires 2 hours to recharge battery before performing other tests.
5. Once entering emergency mode or after conducting other test modes, 24 hours are required to recharge battery before performing other tests.
6. The internal timer of the emergency driver starts once power is applied to the unswitched hot lead. The internal timer will not reset due to power loss as long as there is enough battery power to maintain the emergency driver's internal memory.
7. The internal timer of the emergency driver resets after 12 automatic tests. The 12th test conducted is a 90-minute test, which occurs every 377 days. The first 11 tests conducted are 30-second tests and occur once every 30 days (if the 90-minute test occurs within the 30-day time period, the duration will increase to 31 days).
8. If the emergency driver has a manual test (test button pushed) during the time of the auto-test, the auto-test will delay for 24 hours.
9. Regardless if the switched hot is on or off (if applicable), automatic tests will still occur and will power the LED load at 20W.
10. If a power outage were to occur during the time of an automatic test, the emergency driver will continue the automatic test until completed. After the test is done, it will continue to operate the load in emergency mode until power is restored.

## WIRING Diagram

