



Project Details

| | |
|----------|--|
| PROJECT | |
| DATE | |
| TYPE | |
| PREPARER | |



The NB-WBW widebody Wrap fixture is designed for saving energy and easy installation, this versatile luminaire produces energy-efficient, comfortable illumination. Available in 4ft 25W/30W/40W with 3 CCT's 35K, 40K & 50K selectable by dip switch. The NB-WBW widebody wrap features a full wrap-around UV coated Polycarbonate prismatic lens designed for surface mounting and suspension applications.

SPECIFICATIONS Product Features

Construction

- Die formed cold-rolled steel
- Powder coat white finish
- Polycarbonate formed lens

Installation & Mounting

- Surface ceiling mount
- Surface wall mount
- Suspension cable (Sold Separately)

Controls & Dimming

- 0-10 Volt Dimming
- Bluetooth Mesh Controls
- 90 Mins Emergency back up

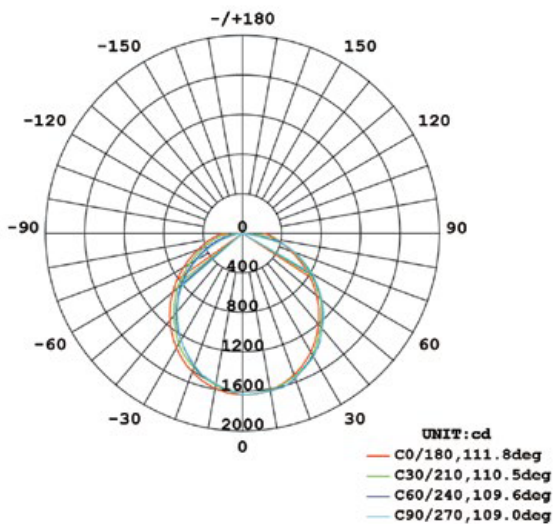
PERFORMANCE Summary

| | |
|--------------------|---------------------|
| Input Voltage | 100-277V |
| Input Frequency | 50/60 Hz |
| Rated Wattage | 25W, 30W, 40W |
| Efficacy | 130 lm/W |
| CRI | >80 |
| Available CCT | 3500K, 4000K, 5000K |
| Rated Life (L70) | 50,000 hrs |
| IP Rating | IP20 |
| PF | >0.90 |
| Certifications | ETL, DLC, CE, RoHS |
| Working Temp. (°F) | -4°F~113°F |
| LED Light Source | SMD 3030 |



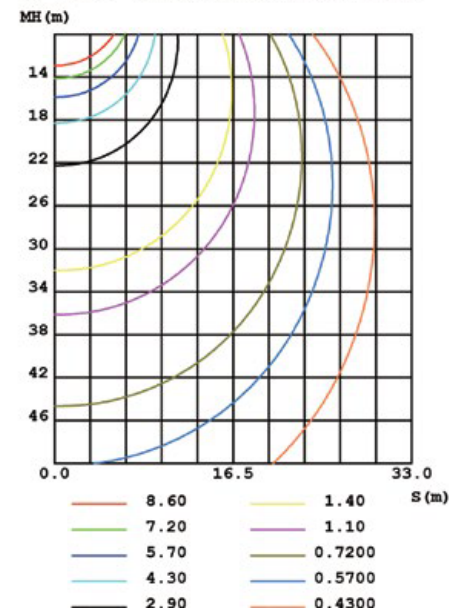
BEAM Angle

LUMINOUS INTENSITY DISTRIBUTION DIAGRAM



AVERAGE BEAM ANGLE (50%) : 110.2 DEG

C0 PLANE ISOLUX DIAGRAM (UNIT:lx)



PERFORMANCE Data

| MODEL | WATTAGE | CCT | LUMEN | EFFICACY (lm/W) | VOLTAGE |
|------------|---------|---------------------|---------|-----------------|------------|
| NB-WBW-4FT | 25watt | 3500K, 4000K, 5000K | 3,250lm | 130 lm/W | 100-277vac |
| NB-WBW-4FT | 30watt | 3500K, 4000K, 5000K | 3,900lm | 130 lm/W | 100-277vac |
| NB-WBW-4FT | 40watt | 3500K, 4000K, 5000K | 5,200lm | 130 lm/W | 100-277vac |

* Lumen output base on 5000K

ORDER Format

Sample: **NBL-WBW-4FT**

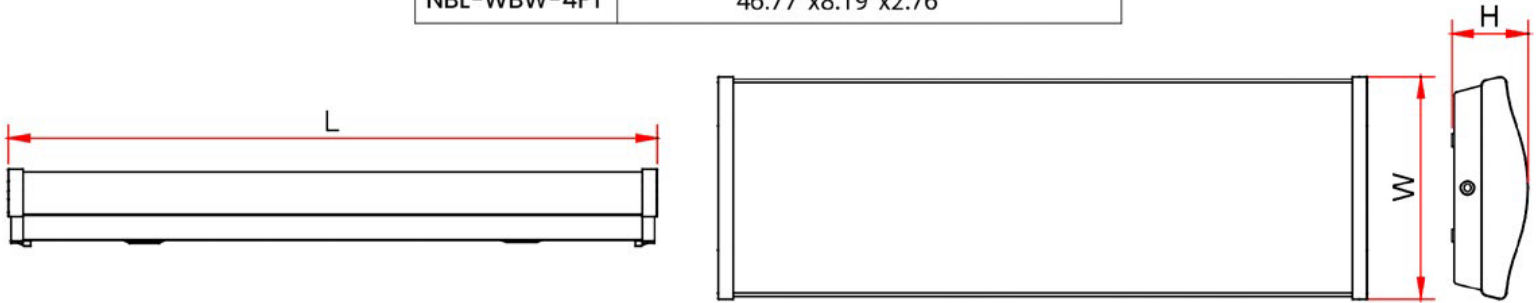
| SERIES | WATTAGE | CCT | VOLTAGE | OPTICS | FINISH* |
|------------|-------------|--|------------------|--------|---------------|
| NB-WBW-4FT | 30W/40W/50W | 35 = 3500K 40 = 4000K 50 = 5000K | BLANK = 100-277V | 120° | BLANK = White |

MOUNTING Options

| | | | |
|-----|-------------------------|----|---------------------------|
| SC | Surface Ceiling | EM | Battery Backup |
| SCL | Suspension Cable (10FT) | MS | Motion Daylight & Dimming |
| | | RC | Programing Tool |

DIMENSIONS

| Model | L×W×H |
|-------------|--------------------|
| NBL-WBW-4FT | 46.77"x8.19"x2.76" |



KT-EMRG-LED-5C-500-SEN Constant Power Emergency Led Back-up Driver

Constant-Power Emergency LED Back-Up Driver | 5W Output | 120 –277V Input | CEC T20 Compliant

| | | | |
|-------------------|---|-------------------|---|
| Driver Type | Constant Power Emergency LED Back-Up Driver | Safety Standards | UL 924, Complies with CEC Title 20 Efficiency Standards |
| Max. Output Power | 5W | Location | IP20 design for dry and damp locations |
| Input Voltage | 120-277 Vac ±10% | Number of Outputs | 1 |
| | | Warranty | 5 Years |

ELECTRICAL Specifications

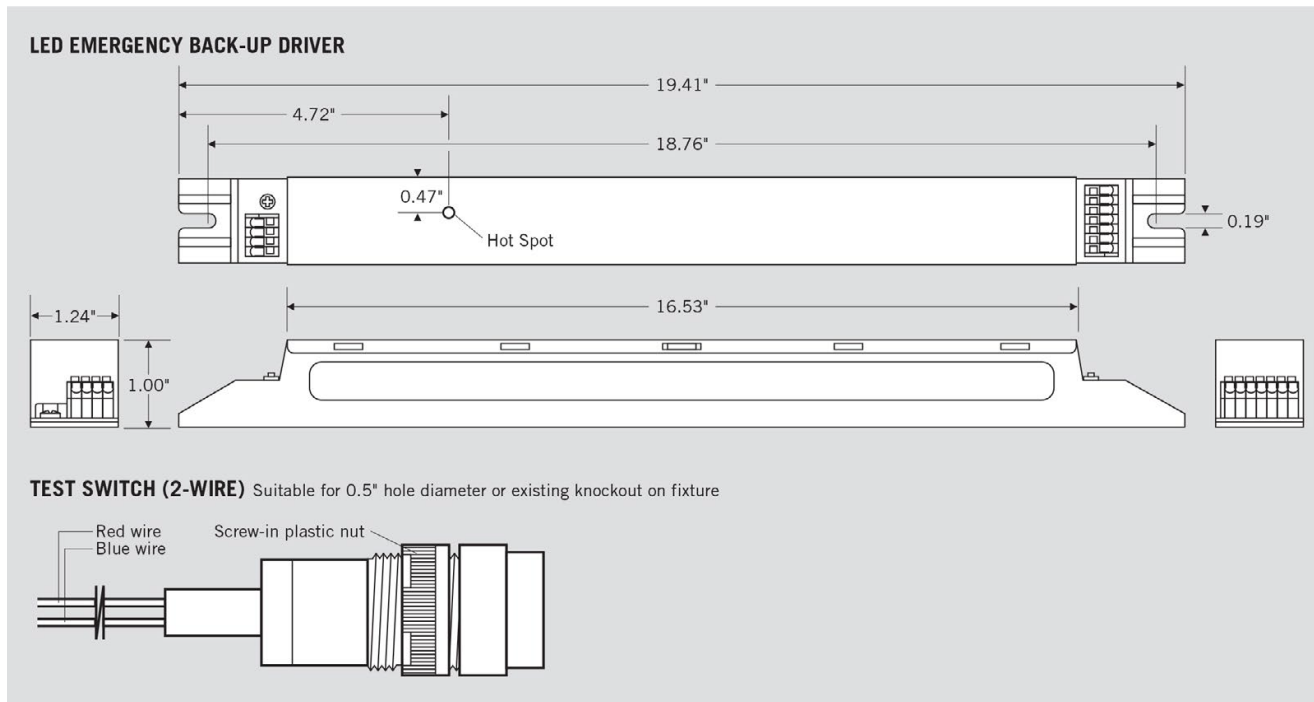
| | |
|-----------------------------------|---|
| Input voltage range | 120~277Vac \pm 10% |
| Frequency | 50/60Hz |
| Power factor | > 0.5 under 120~277Vac input |
| Inrush current | 7A @ 230V |
| Max input current | 50mA @120V, 35mA @240V, and 30mA @277V |
| THD | < 170% under 120~277Vac input |
| Output voltage | 20 –60Vdc Class 2 compliant Remarks: the output power is valid for output voltage \leq 58Vdc; above that power will drop |
| Output current | 250mA @ 20Vdc, 86mA @ 58Vdc |
| Output power | 5W (constant) |
| Turn-on Delay Time | < 1s |
| Overshoot | < 10% |
| Ripple & Noise (pk–pk) | < 10% |
| Withstand voltage | Input to output, 2800Vdc, 2mA |
| Leakage current | Maximum 0.5mA at 277Vac, 60Hz input |
| Protection | Over-voltage protection: Hiccup mode. Protection will trigger when load voltage exceeds specified output voltage and will auto recover after the fault mode is removed. Over-current protection: Hiccup mode. Protection will trigger when load current exceeds specified output current and will auto recover after the fault mode is removed. Short-circuit protection: Hiccup mode. Protection will trigger when short circuit and will auto recover after the fault mode is removed. |
| Emergency Operation | 90 minutes |
| Battery | High-temperature, maintenance-free, LiFePO4 battery, 9.6Vdc, 3 cell |
| Recharge Time | 24 hours |
| Battery Charging Current | 307mA |

ENVIRONMENTAL Specifications

| | | | |
|------------------------------|---|------------------------------------|--|
| Operating temperature | 0°C/32°F to 55°C/131°F | Life rating | 97,500 hours at 120Vac input, 100% load and 55°C/131°F case temp |
| Storage temperature | -20°C/- 4°F to 55°C/131°F | Maximum ambient temperature | 55°C/131°F |
| MTBF | 284,000 hours at 40°C/104°F ambient (~55°C/131°F case temp) | Humidity | 5% to 95% |

SAFETY and EMC Compliance

| | |
|---------------------------|---|
| UL/cUL | UL 924, Complies with CEC Title 20 Efficiency Standards |
| FCC, 47CFR Part 15 | ANSI C63.4:2009 Class B (consumer limit) |
| EN61000-3-2 | Harmonic current emissions Class C |



WIRING Diagram

