



Project Details

PROJECT	
PRODUCT	
TYPE	
PREPARER	



A wall pack is well known for keeping a building’s perimeter illuminated and also for providing security lighting. The NB-**WPGS** Mini wall pack is suitable for wet & damp locations (Weatherproof IP65) it has a button photocell sensor option to automatically turn on at night and off during the day for increased efficiency. It is a great choice for outdoor lighting that has an L70 Lifespan of 50,000 hours. Made from durable aluminum housing to ensure a long-lasting life. The LED technology reduces the need for costly maintenance. Like most of our products, the WPG1 wall pack series is backed by NBL’s five year warranty.

SPECIFICATIONS Product Features

Construction

- Die-cast Aluminum Housing
- Prismatic PC Lens
- EVA Gasket
- NPT Knock Outs

Installation & Mounting

- Standard J-Box
- Directly to surface
- Features multiple conduit KO's

Controls & Dimming

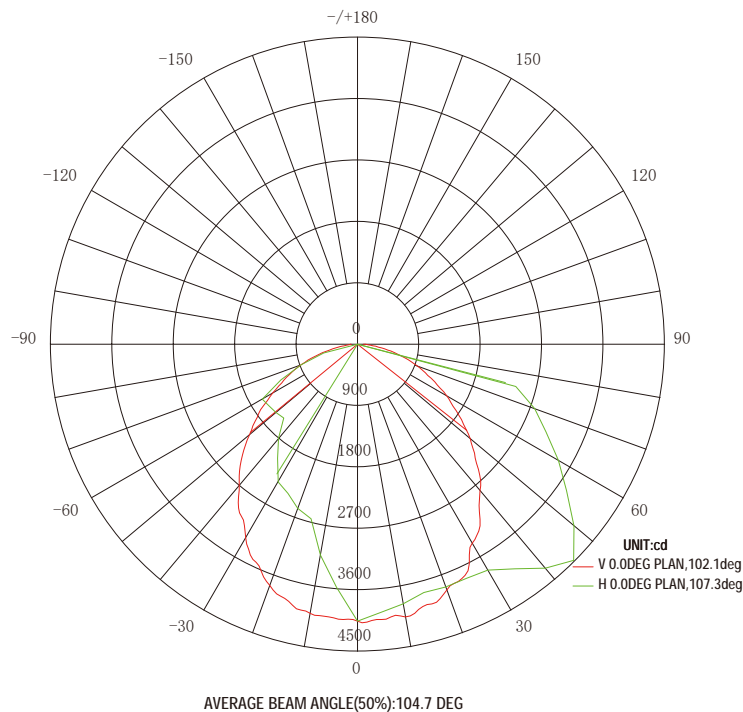
- 0-10 Volt Dimming
- 12V AUX
- Daylight Photocell

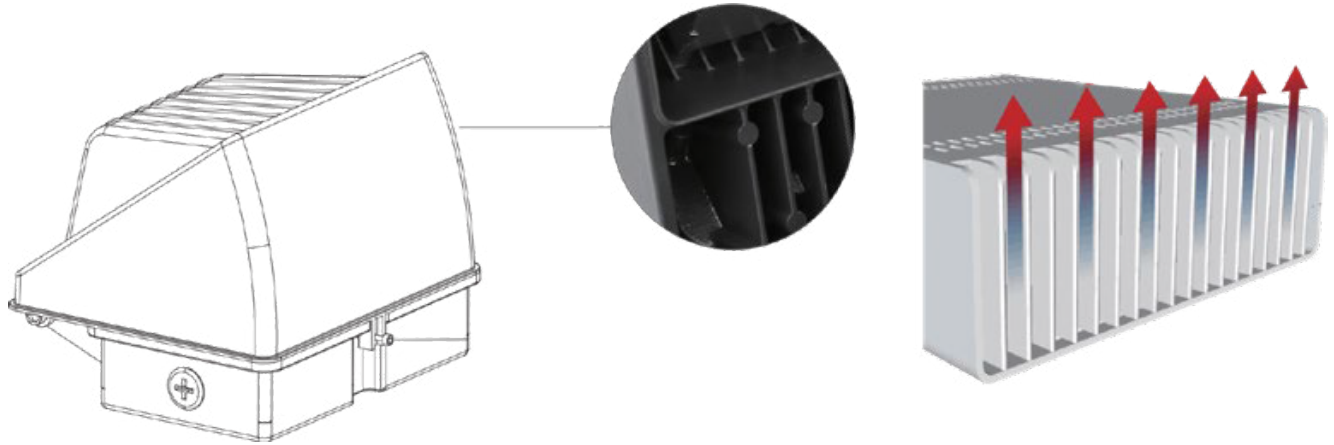
PERFORMANCE Summary

Input Voltage	100-277V, 120-347V, 180-480V
Input Frequency	50/60 Hz
Rated Wattage	15W / 24W / 50W / 70W / 90W
Efficacy	130 lm/W
CRI	>80
Available CCT	3000K, 4000K, 5000K
Rated Life (L70)	50,000 hrs
IP Rating	IP65
PF	≥0.95
Certifications	DLC, CE, RoHS, UL, FCC
Working Temp. (°F)	-40°F - 113°F
LED Light Source	SMD 3030



LIGHT Distribution Curve





PERFORMANCE Data

MODEL	WATTAGE	CCT	LUMEN	EFFICACY (lm/W)	VOLTAGE
NBL-WPGS-15	15watt	3000K, 4000K, 5000K	1,950lm	130 lm/W	V = 100-277V HV1= 120-347V HV2= 180-480V
NBL-WPGS-24	24watt	3000K, 4000K, 5000K	3,100lm	130 lm/W	
NBL-WPGS-50	50watt	3000K, 4000K, 5000K	6,200lm	130 lm/W	
NBL-WPGS-70	70watt	3000K, 4000K, 5000K	9,100lm	130 lm/W	
NBL-WPGS-90	90watt	3000K, 4000K, 5000K	11,5000lm	130 lm/W	

ORDER Data

Sample: NB-WPGS-90W

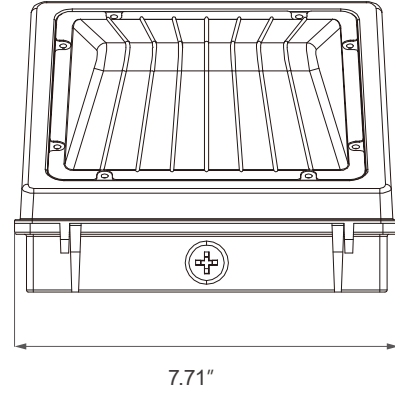
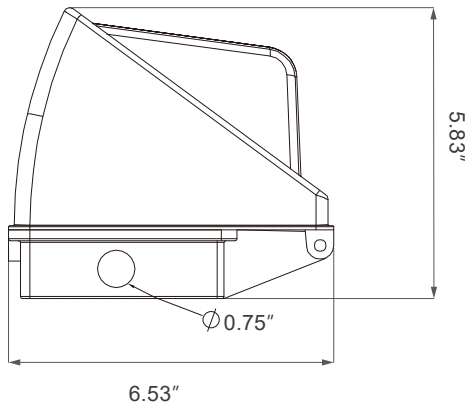
SERIES	WATTAGE	CCT	VOLTAGE	OPTICS	FINISH*
NB-WPGS	15W, 24W, 60W	30 = 3000K 40 = 4000K 50 = 5000K	V = 100-277V HV1= 120-347V HV2= 180-480V	FORWARD	BLANK = Dark Bronze BLK = Black WH = White GR = Gray
	70W, 90W				

* contact the Nebulite sales team for turnaround time and pricing on finish color customizations

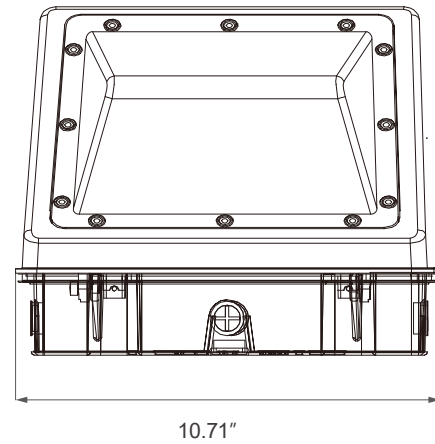
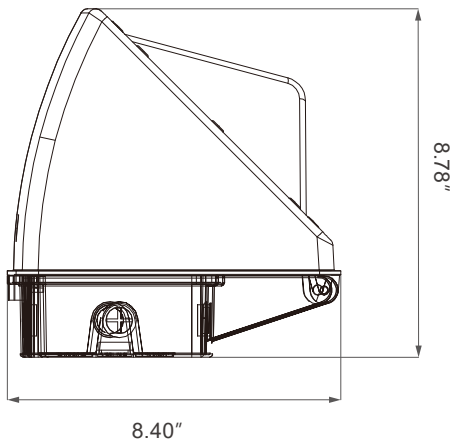
MOUNTING		OPTIONS	
JB	Juntion Box	PC	Dusk to Dawn
WS	Wall or Surface	CF	Custom Finish Black, White, Gray

DIMENSIONS

15W-60W

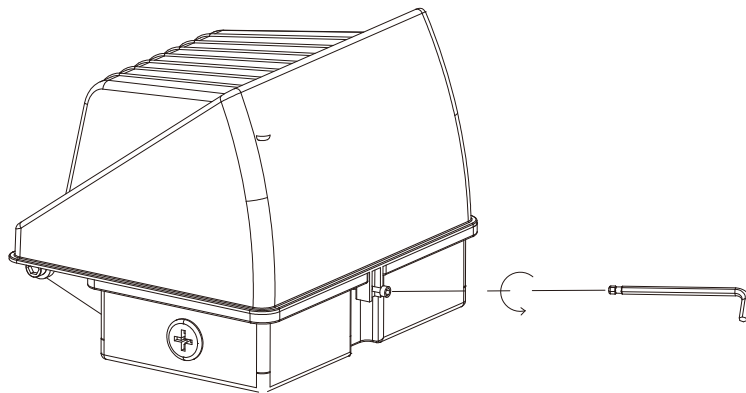


70W-90W

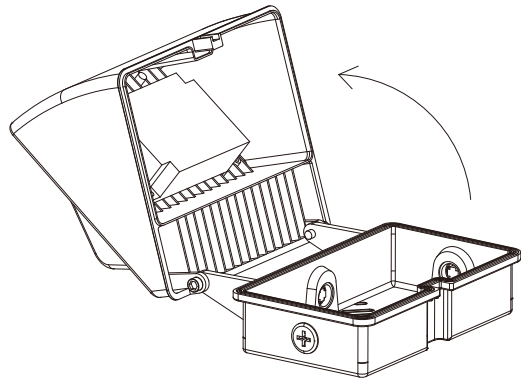


INSTALLATION

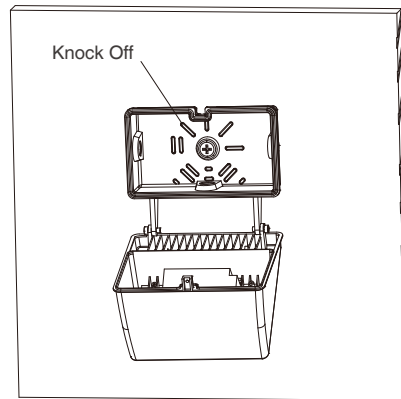
1. Remove M3x12mm locking screw with 3mm allen wrench on fixture to open the fixture



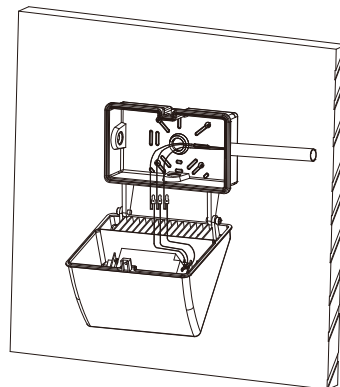
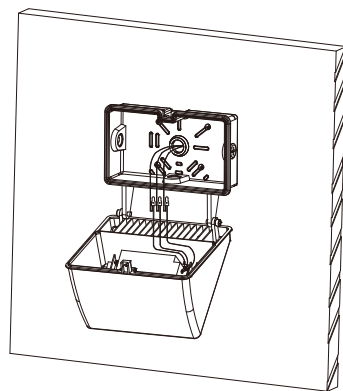
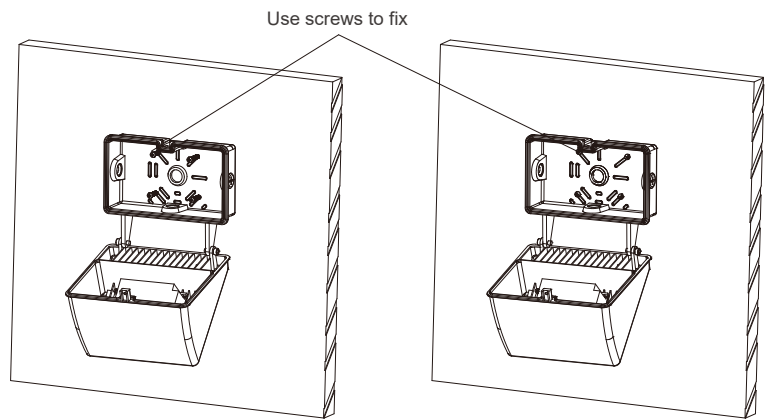
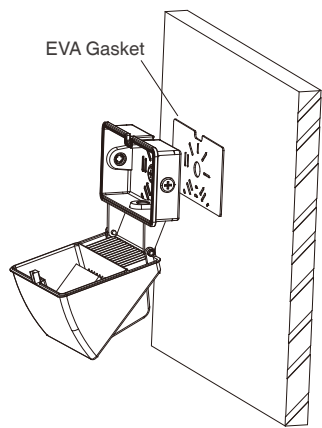
2. Drill 2 holes (0.125 inch) through fixture, and 2 holes into mounting surface using drill template. Drive wall anchors into holes. Attach the fixture to wall with using 2 screws (not included).



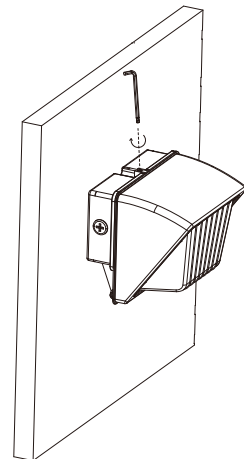
3. Remove Knockout Plug and attach conduit.



4. Pull wires from conduit through knockout and make wire connections to main supply. Black to Line, White to Neutral, and Green to Ground. Consult an electrician and install according to national, local, and state codes.

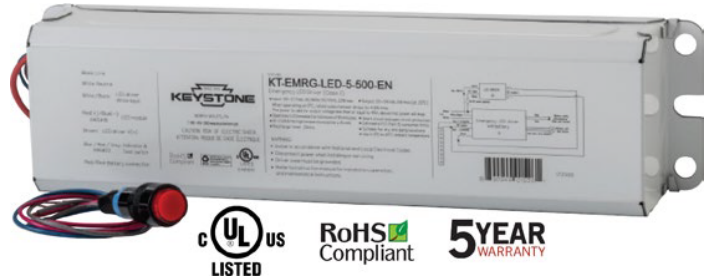


5. Close hatch and tighten M3x12mm locking screw with 3mm allen wrench.



LED Emergency Back-Up Driver | Standard Side Exit Wire Leads | 5W Output

Driver Type	Constant Wattage LED Emergency
Max. Output Power	5W
Input Voltage	120-277 Vac \pm 10%
Output Voltage	20 ~ 54Vdc
Output Current	250 - 100mA
Warranty	5 Years



PRODUCT Features

- Drives LED loads at 5W (nominal) for a minimum of 90 minutes
- Meets FCC Part 15 (Class B) consumer limits
- Short circuit overload and open load protection
- Suitable for dry and damp locations
- Evaluated to UL 924 standards
- Operating temperature: 0°C/32°F to 50°C/122°F
- Input frequency: 50/60 Hz
- Test switch/Charging indicator light
- Battery pack with quick connect: NiCd
- Battery capacity: 1200mAh
- Listed for field or factory installation: UL 924 and CSA C22.2 no. 141 emergency lighting compliant
- 3A max. pass-through current

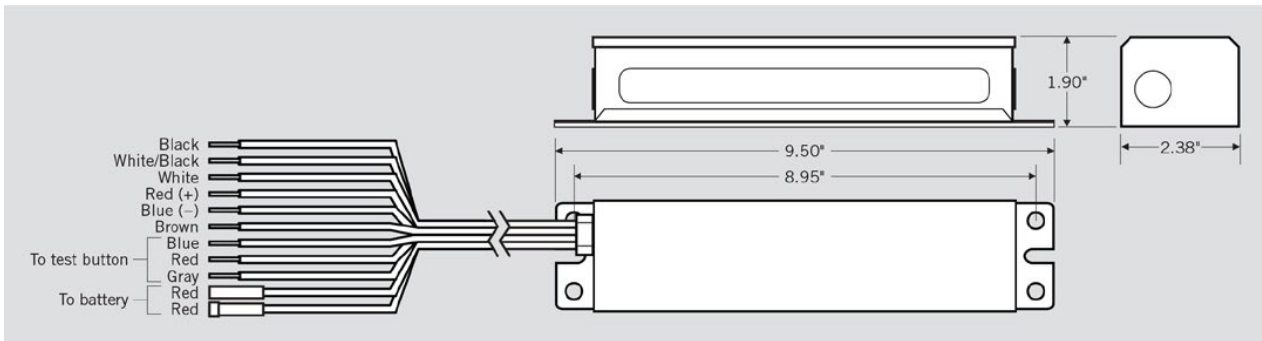
Emergency Pack does not meet CEC T20 requirements. Not to be sold or offered for sale in California, except when sold wholesale in California for final retail sale outside the state.

Electrical Specifications

Family	INPUT CHARACTERISTICS			OUTPUT CHARACTERISTICS		
	Input Voltage	Power Factor	Max. Current	Max. Output Power	Rated Output Current	Output Voltage
5W	120-277Vac	\geq 0.5	0.051A @ 120V	5W	250mA-100mA	20~54Vdc

Emergency pack designed to deliver 5W to a constant current LED load. Approximate output is 500 lumens, assuming a nominal minimum efficacy of 100 lm/W

PHYSICAL Specifications



WIRING Specifications

