



**Project Details**

PROJECT	
PRODUCT	
TYPE	
PREPARER	



The WPS LED wall pack is an aesthetically pleasing modern luminaire that offers a T3 forward-throw light distribution to cover the largest possible area, with an incredible low profile dark-sky cut-off design & the effortless door hinge setup makes for a quick and easy installations. Its die-cast aluminum housing makes the WPS wall pack a durable corrosion-resistant commercial grade wall pack with advanced thermal management that promotes long service life and easy maintenance, the anti-static powder coat finish protects against outdoor environments without compromising aesthetics.

# SPECIFICATIONS Product Features

## Construction

- Die-Cast Aluminum housing
- Anti-static powder coat
- IP65 Rating
- Polycarbonate Lens
- Superior thermal management

## Installation & Mounting

- Luminaire mounting designed for standard J-Box. Can be mounted directly to surface. Features multiple conduit entries.

## Controls & Dimming

- 0-10 Volt Dimming
- 12 Volt AUX
- Bluetooth Mesh Control
- Twist-lock Dusk to Dawn PC
- Bi-level Occupancy Sensor

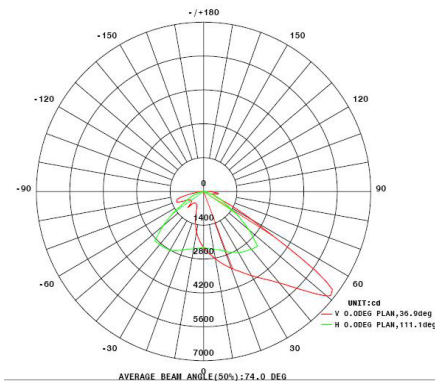
# PERFORMANCE Summary

Input Voltage	100-277V
Input Frequency	50/60 Hz
Rated Wattage	30W, 60W
Efficacy	130 lm/W
CRI	>70
Available CCT	3000K, 4000K, 5000K
Rated Life (L70)	100,000 hrs
IP Rating	IP65
PF	>0.95
Certifications	UL, DLC Listed, CE, RoHS
Working Temp. (°F)	-40° - +122°F
LED Light Source	SMD 3030 5050

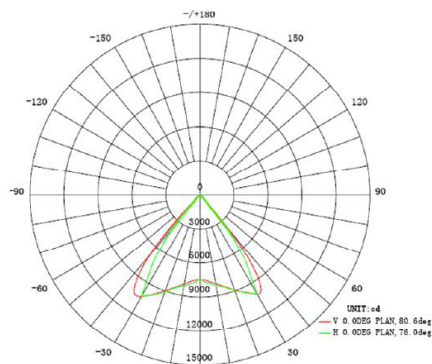


# BEAM ANGLE

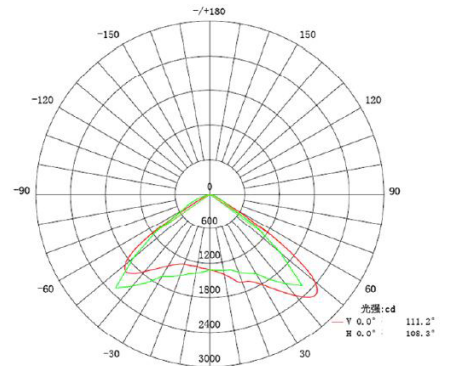
90\*120



90°



120°



## PERFORMANCE Data

MODEL	WATTAGE	CCT	LUMEN	EFFICACY (lm/W)	VOLTAGE
WPS-30W	30watt	3000K, 4000K, 5000K	3,900lm	130 lm/W	V = 100-277V
WPS-60W	60watt	3000K, 4000K, 5000K	7,800lm	130 lm/W	V = 100-277V

## ORDER Data

Sample: **WPS-30W-40-HD405V-CRH**

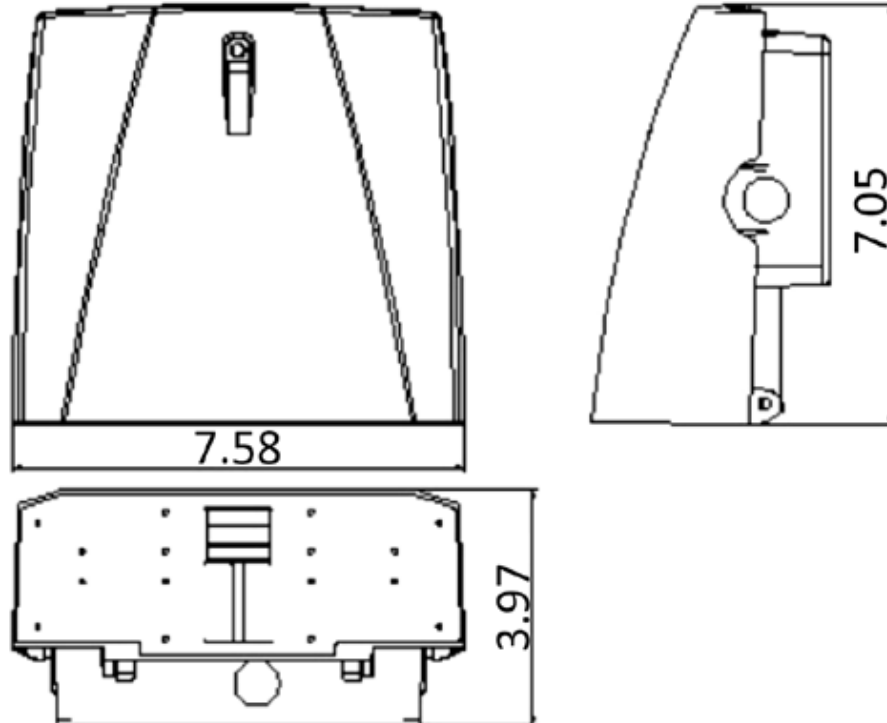
SERIES	WATTAGE	CCT	VOLTAGE	OPTICS	FINISH*
WPS	30W	30 = 3000K 40 = 4000K 50 = 5000K	BLANK = 100-277V	90°      120°	DB = Dark Bronze
	60W	90° * 120°			

\* contact the Nebulite sales team for turnaround time and pricing on finish color customizations

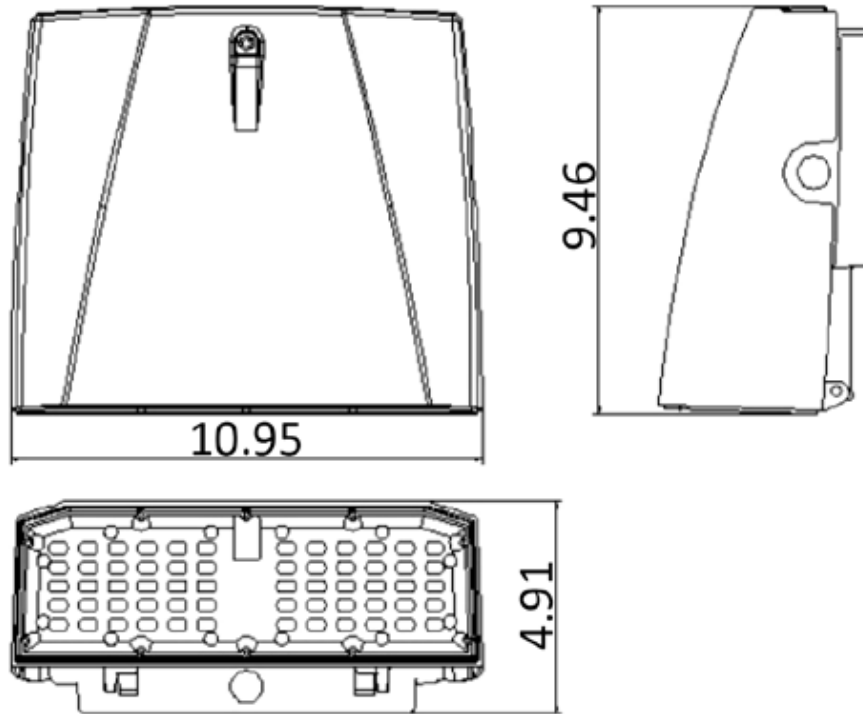
MOUNTING		OPTIONS	
JB	Standard J-Box	HD405V-CRH	Highbay Separate Antenna Dimming Sensor

## DIMENSIONS

WPS-30W (in)

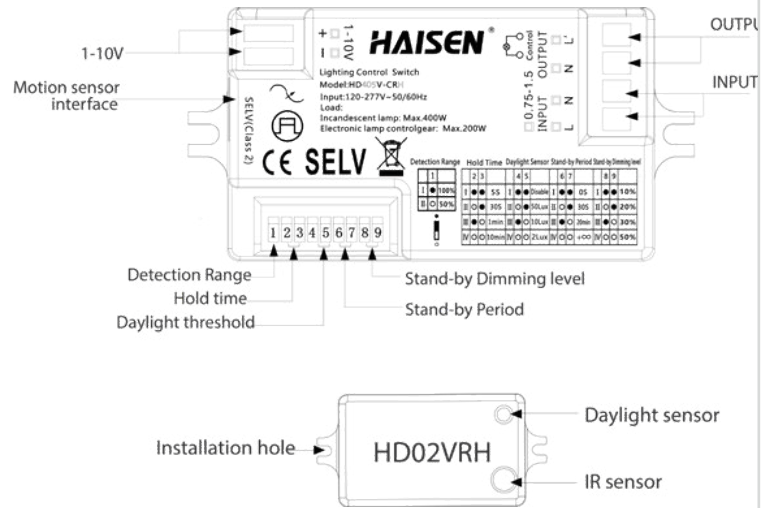
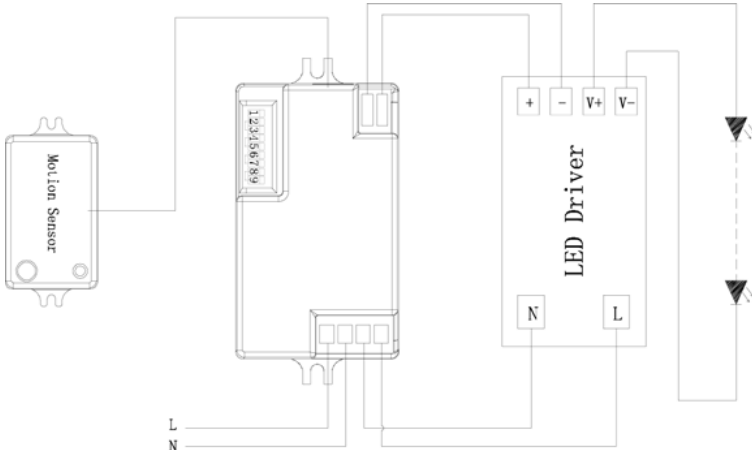









WPS-60W (in)



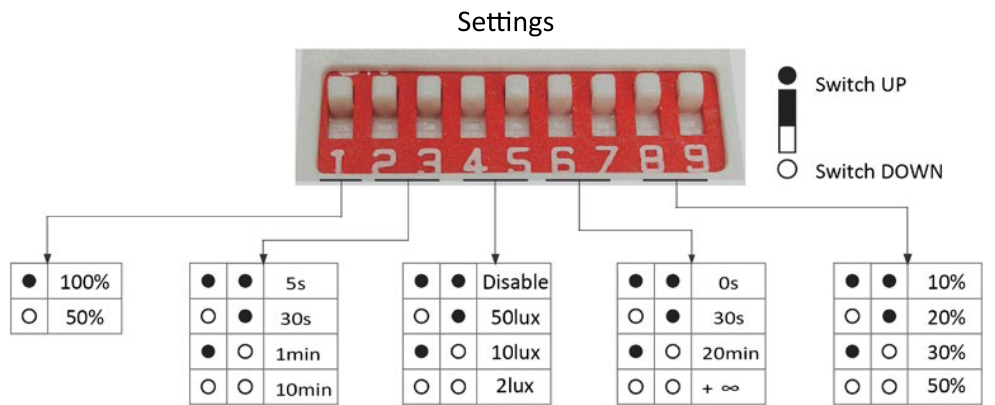
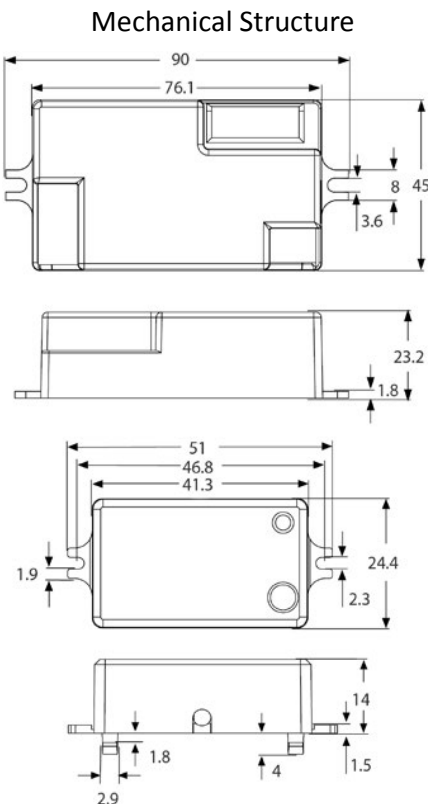
HD405V-CRH Highbay separate antenna dimming sensor

Wiring Diagram



 On/off control	 Stand-by period	Operating Voltage	120~277 VAC 50/60Hz
		Switching capacity	Max.200W (Control gear) Max.400W (Incandescent lamp)
 Detection area	 Stand-by dimming level	Standby power	<1W
		Detection area	50%/100%
 Hold-time	 Remote control setting	Hold-time	5s/30s/1min/10min
		Stand-by period	0s/30s/20min/+∞
 Daylight threshold		Stand-by dimming level	10%/20%/30%/50%
		Daylight threshold	2Lux/10Lux/50Lux /Disable
Microwave frequency		5.8GHz±75MHz	
Microwave power		<0.3mW	
Interfaces		6-pole pluggable clamp terminal (L,N,N',1-10v+,1-10v-) for 0.75-1.5mm <sup>2</sup> cable	
Mounting height		Max.15m(ceiling mounted)	
Detection range		Max.12x15m(ceiling mounted) Max.20m(wall mounted)	
Operating temperature		-20°C~+55°C	
IP rating		IP20	
Size		90x45x23.2mm; HD02VRH,51x24.4x14mm	
Certificate	cULus listed,FCC		

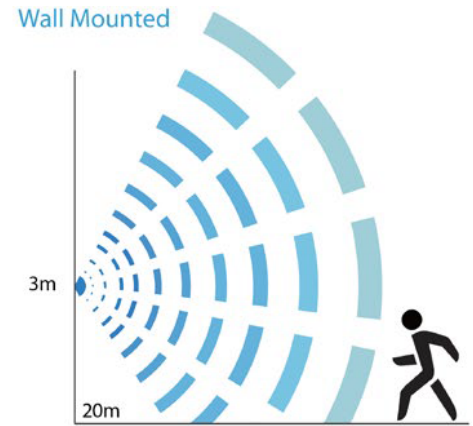
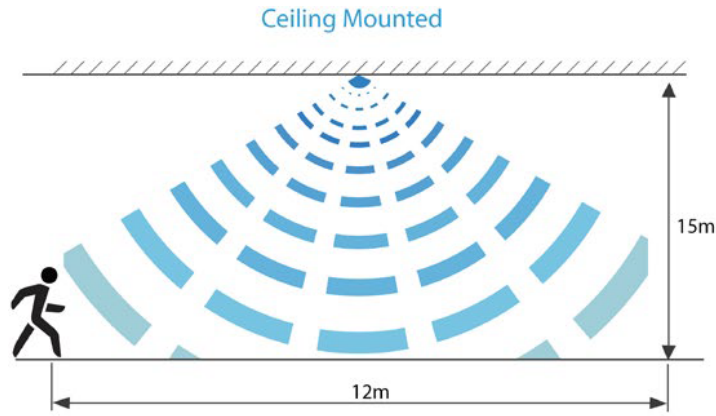
**Bi-Level PIR Sensor**



<b>Detection area</b>	<b>Hold-time</b>	<b>Daylight threshold</b>	<b>Stand-by period</b>	<b>Stand-by dimming level</b>
Detection area means detection coverage. It can be adjusted by combining DIP switches for specific application.	Hold-time means the time period the light will be ON after the last detection.	Daylight sensor prior to motion sensor. Set threshold for specific needs. If Disable, only motion sensor works.	This is the time period the light keeps dimming down after the last detection.	This is the dimming level the light keeps during standby period.

**Note:** Motion sensor setting and dimming setting please refer to remote control RHD02 HD02VRH Standard Version Cable Length 30mm(can be customized).

## Mechanical Structure



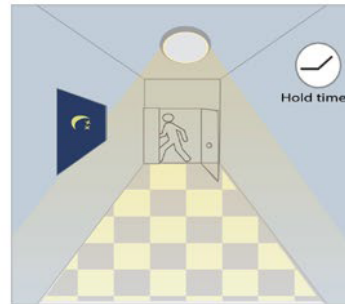
## Application / Function Demo - Dimmable control/Corridor function



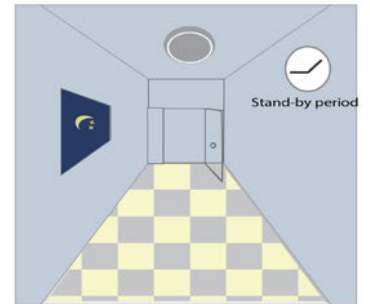
When motion detected, but sufficient daylight, light remains OFF.



When motion detected, insufficient daylight, light ON.



After last detection, the light will be dimmed down to the stand-by dimming level(10%,20%30%,50%).



After the stand-by period, light OFF.