



Project Details

PROJECT	
DATE	
TYPE	
PREPARER	



NBFL-New LED Flood Light series is the perfect choice for new construction or for replacing traditional light fixtures in commercial and industrial facilities. This flood light is designed to maximize light output and optimize energy efficiency. It is ideal for illuminating sides of buildings, façades, walkways, pathways, landscape planter boxes, business park signs and other general outdoor lighting applications. Mounting options include Trunnion, U Bracket and a 1/2" threaded Knuckle mount for easy on-site installation. It is available in 15W & 30W & 50W & 80W & 100W with beam angles of 60 & 120 degrees. It does not contain mercury or other hazardous materials.

SPECIFICATIONS Product Features

Construction

- The Multi-Purpose LED Flood Light has a rugged ADC12 die-cast aluminum housing with anti-static powder coat paint. It is designed specifically for outdoor use with an IP65 rating. This allows it to endure severe weather conditions for many years to come.

Installation & Mounting

- Trunion Mount
- Knuckle Mount
- U Bracket

Controls & Dimming

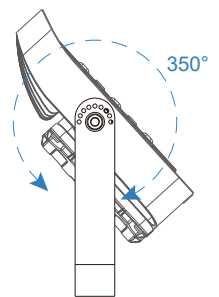
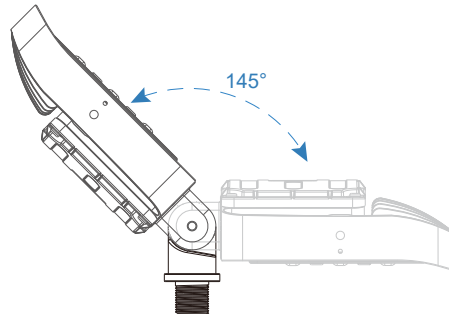
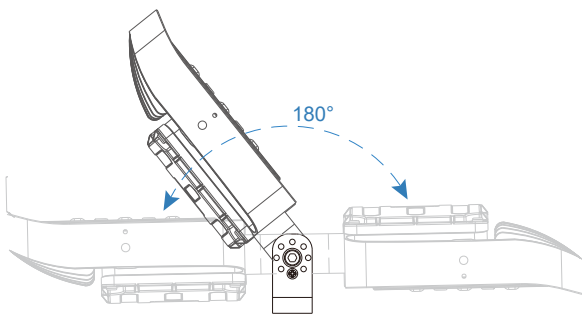
- 0-10 Volt Dimming
- Build-in Photocell

PERFORMANCE Summary

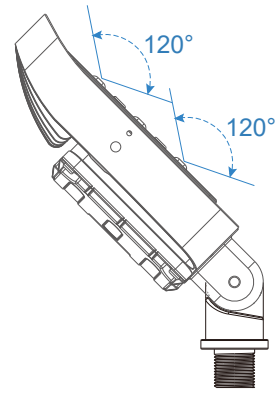
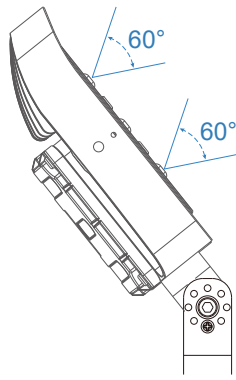
Input Voltage	100-277V
Input Frequency	50/60 Hz
Rated Wattage	15W, 30W, 50W (<i>Watt Selectable Only</i>) 50W, 80W, 100W (<i>CCT&Watt Selectable</i>)
Efficacy	130 lm/W
CRI	≥80
Available CCT	3000K, 4000K, 5000K
Rated Life (L70)	50,000 hrs
IP Rating	IP65
PF	≥0.9
Certifications	UL, DLC, CE, RoHS
Working Temp. (°F)	-40°F ~ 125°F
LED Light Source	Lumileds 3030



BRACKET Angle



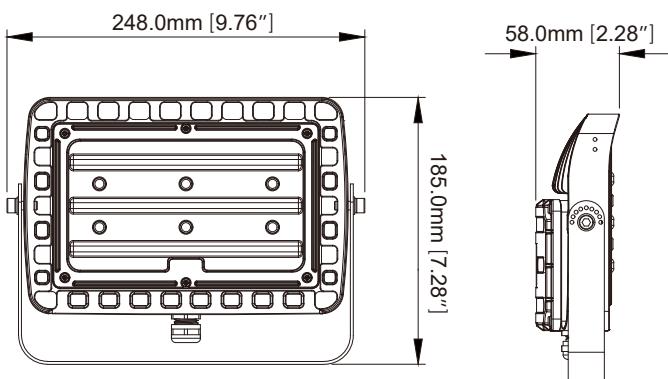
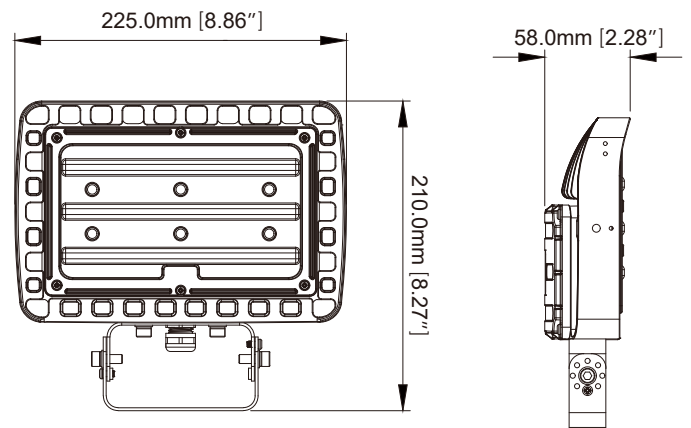
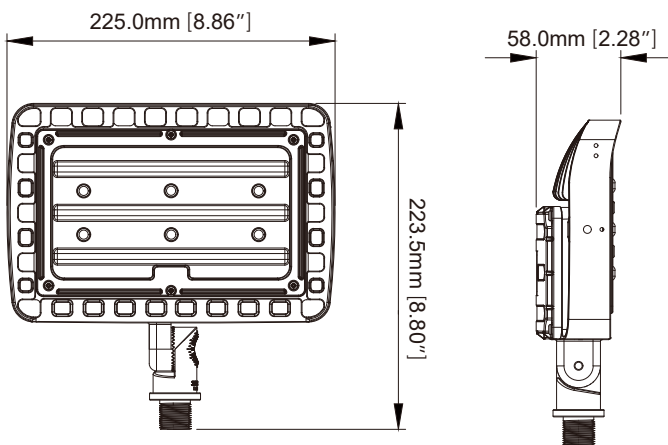
INSTALLATION

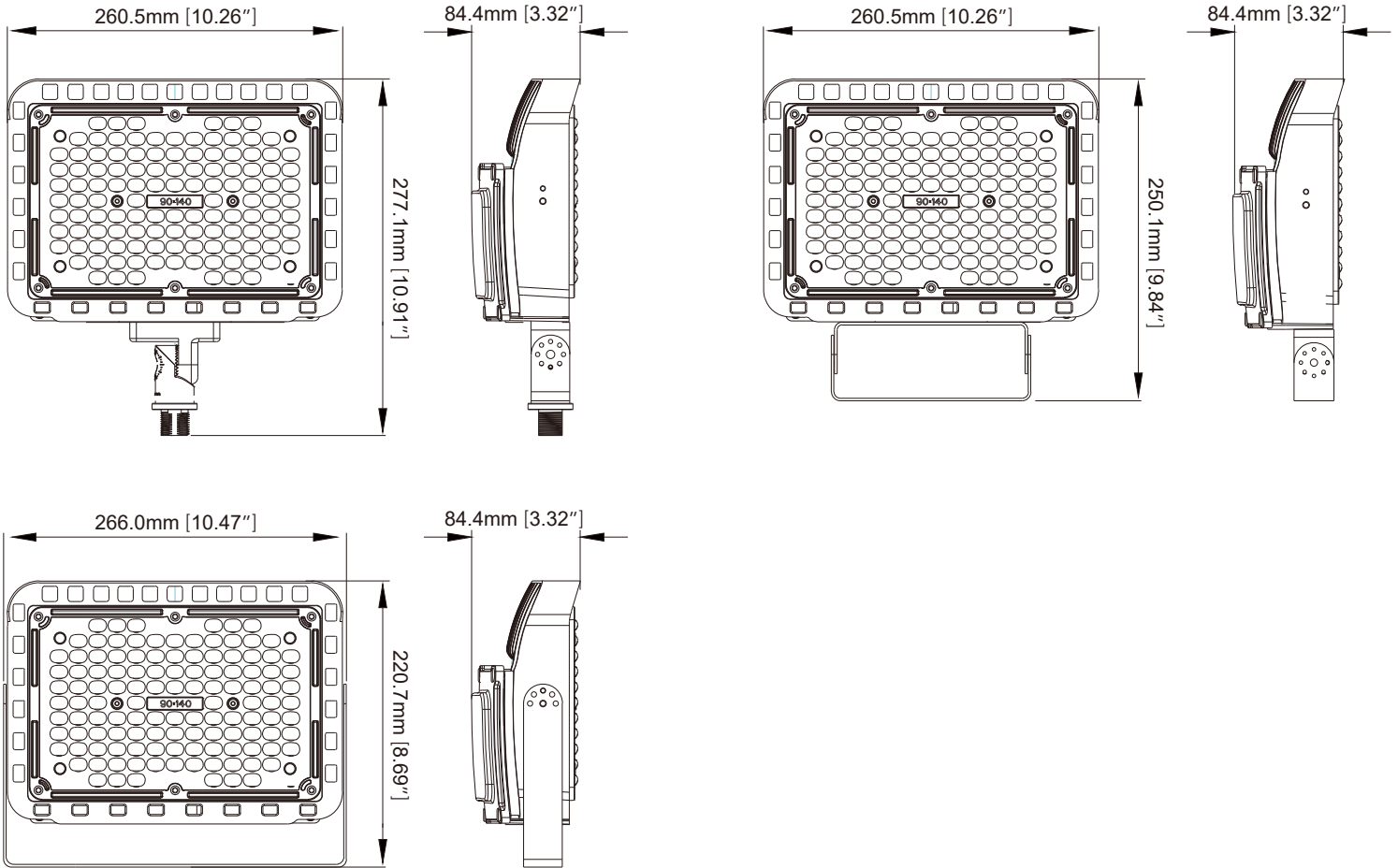


DIMENSIONS

15 Watt - 30Watt - 50 Watt

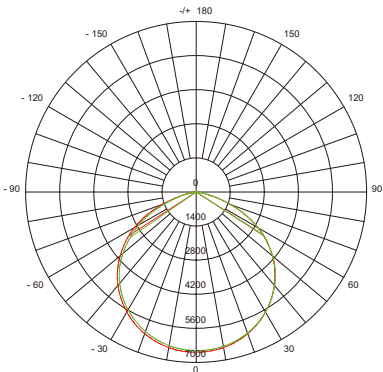
INCHES & MM





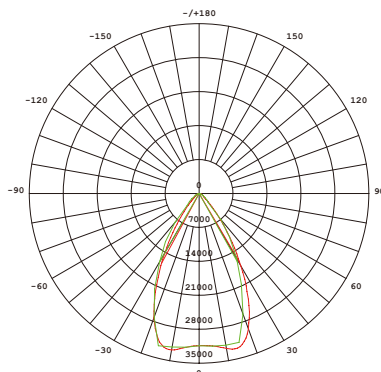
LIGHT DISTRIBUTION

120°



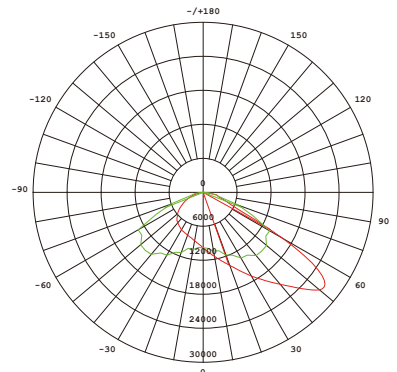
UNIT:cd
 — V 0.0DEGPLAN,114.4deg
 — H 0.0DEGPLAN,112.5deg
 AVERAGE BEAM ANGLE(50%):113.5 DEG

60°



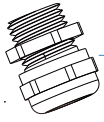
UNIT:cd
 — V 0.0DEGPLAN,58.8deg
 — H 0.0DEGPLAN,59.3deg
 AVERAGE BEAM ANGLE(50%):59.1 DEG

90*140°

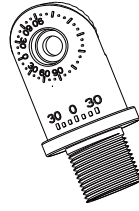


UNIT:cd
 — V 0.0DEGPLAN,41.5deg
 — H 0.0DEGPLAN,136.6deg
 AVERAGE BEAM ANGLE(50%):89.1 DEG

MOUNTING BRACKETS



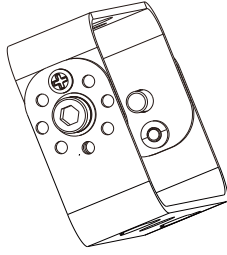
Waterproof screw



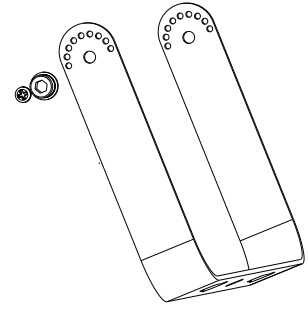
Knuckle mount



Waterproof screw



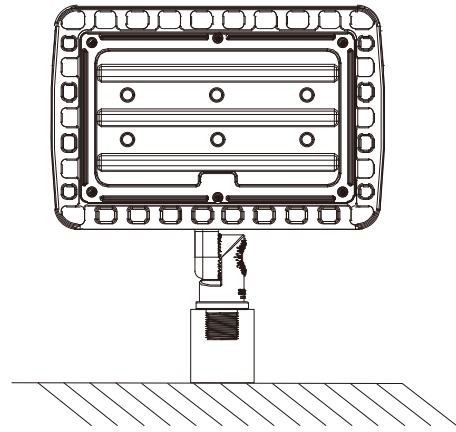
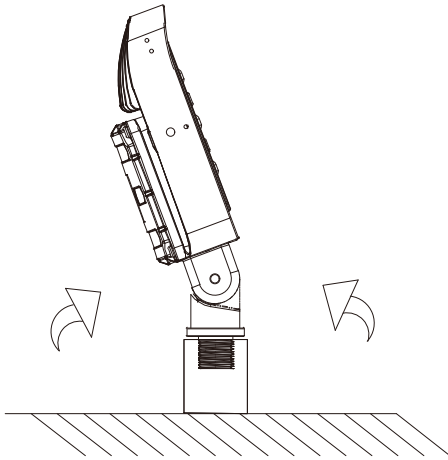
Trunnion Mount



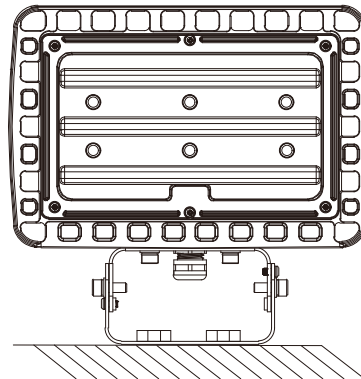
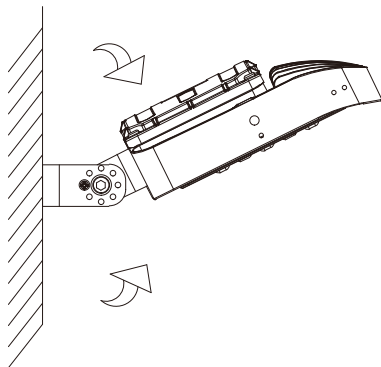
U Bracket

INSTALLATION

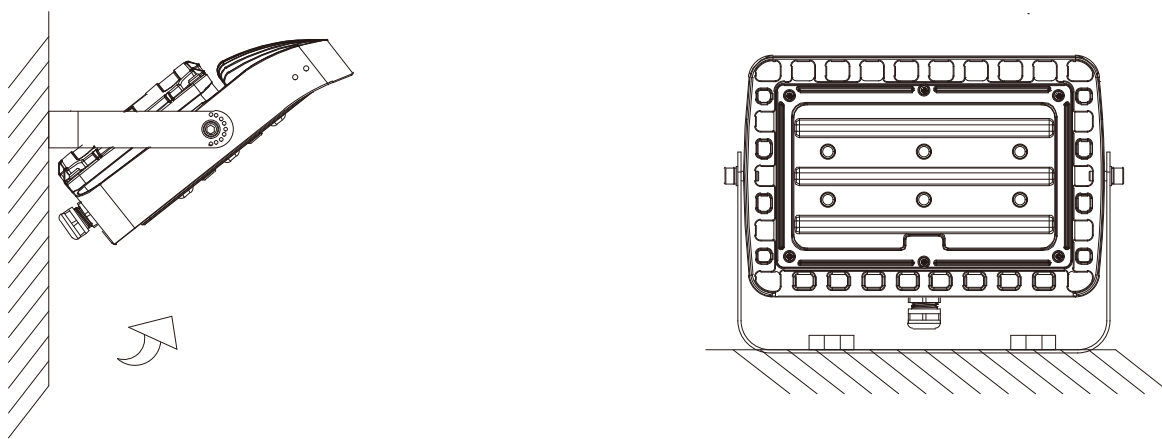
1. Knuckle Mount



2. Trunnion Mount



3. U Bracket Mount



PERFORMANCE Data

MODEL	WATTAGE	CCT	LUMEN	EFFICACY (lm/W)	VOLTAGE
NBFL-NEW-15W	15watt	3000K, 4000K, 5000K	1,950lm	130 lm/W	100-277vac
NBFL-NEW-30W	30watt	3000K, 4000K, 5000K	3,900lm	130 lm/W	100-277vac
NBFL-NEW-50W	50watt	3000K, 4000K, 5000K	6,500lm	130 lm/W	100-277vac
NBFL-NEW-80W	80watt	3000K, 4000K, 5000K	10,400lm	130 lm/W	100-277vac
NBFL-NEW-100W	100watt	3000K, 4000K, 5000K	13,000lm	130 lm/W	100-277vac

ORDER Format

Sample: **NBFL-50W-50**

SERIES	WATTAGE	CCT	VOLTAGE	BEAM ANGLES	FINISH*
NBFL-NEW	15W - 30W - 50W	30 = 3000K 40 = 4000K 50 = 5000K	BLANK = 100-277V	60° 120°	BLANK = Bronze
	50W - 80W - 100W				

* contact the Nebulite sales team for turnaround time and pricing on finish color customizations

MOUNTING Options

TM	Trunnion Mount	KM	Knuckle Mount	PC	Button Photocell
UB	UBracket				