



Project Details

| | |
|----------|--|
| PROJECT | |
| DATE | |
| TYPE | |
| PREPARER | |



The NBQL Series Area Light, ideal for outdoor settings, offers high-efficiency LEDs in power options of 30W to 300W and color temperatures of 3000K, 4000K, and 5000K. It features versatile light distributions (Type II to V) and multiple mounting choices (Slip Fitter, Square Pole, Round Pole, Wall Mounts), making it suitable for diverse applications like parking lots, plazas, and roadways..

SPECIFICATIONS

Product Features

Construction

- Die-Cast Aluminum housing
- Anti-static powder coat
- IP66 Rating
- Polycarbonate Lens
- Superior thermal management

Installation & Mounting

- Square Pole Arm Mount
- Round Pole Arm Mount
- Slip-Fitter Mount
- Wall Mount/Trunnion Mount

Controls & Dimming

- 0-10 Volt Dimming
- 12 Volt AUX
- Twist-lock Dusk to Dawn PC
- Bi-level Occupancy Sensor

PERFORMANCE

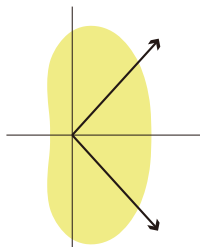
Summary

| | |
|--------------------|---|
| Input Voltage | 100-277V, 277V-480V |
| Input Frequency | 50/60 Hz |
| Rated Wattage | 30W-50W-75W(Fixed Watt, 5K) 100W-150W-200W(Watt & CCT Selectable) 200W-240W-300W(Watt & CCT Selectable) |
| Efficacy | 150 lm/W |
| CRI | >70 |
| Available CCT | 3000K, 4000K, 5000K |
| Rated Life (L70) | 100,000 hrs |
| IP Rating | IP66 |
| PF | >0.95 |
| Certifications | UL, DLC, CE, RoHS, UL, FCC |
| Working Temp. (°F) | -22°F - 122°F |
| LED Light Source | SMD 3030 5050 |

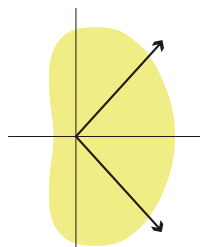


LIGHT DISTRIBUTION

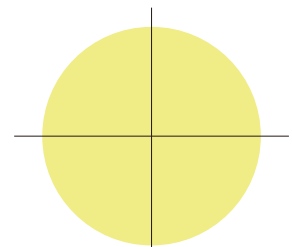
Curve



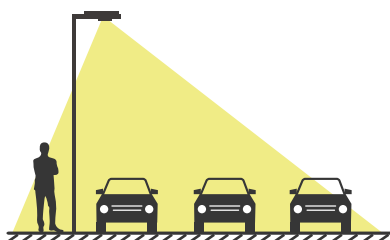
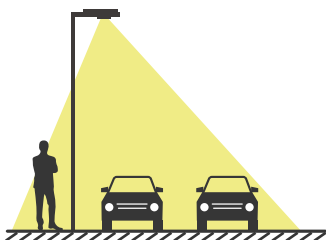
TYPE III



TYPE IV



TYPE V



PERFORMANCE

Data

| MODEL | WATTAGE | LUMEN (CCT:3000) | LUMEN (CCT:4000) | LUMEN (CCT:5000) | EFFICACY (lm/W) | VOLTAGE | BUG |
|-----------|---------|---------------------|---------------------|---------------------|--------------------|---------------------|--------------|
| NBQL-30W | 30watt | 4,215lm | 4,308lm | 4,410lm | 150 lm/W | 100-277V | B1 - U0 - G1 |
| NBQL-50W | 50watt | 7,615lm | 7,825lm | 7,932lm | 150 lm/W | 100-277V | B1 - U0 - G1 |
| NBQL-75W | 75watt | 11,088lm | 11,317lm | 11,535lm | 150 lm/W | 100-277V | B2 - U0 - G1 |
| NBQL-100W | 100watt | 14,930lm | 15,251lm | 15,482lm | 150 lm/W | 100-277V, 277V-480V | B2 - U0 - G2 |
| NBQL-150W | 150watt | 22,472lm | 22,633lm | 22,861lm | 150 lm/W | 100-277V, 277V-480V | B3 - U0 - G2 |
| NBQL-200W | 200watt | 30,138lm | 30,336lm | 30,578lm | 150 lm/W | 100-277V, 277V-480V | B3 - U0 - G3 |
| NBQL-240W | 240watt | 36,000lm | 36,000lm | 36,000lm | 150 lm/W | 100-277V, 277V-480V | B3 - U0 - G3 |
| NBQL-300W | 300watt | 45,624lm | 45,886lm | 46,204lm | 150 lm/W | 100-277V, 277V-480V | B4 - U0 - G3 |

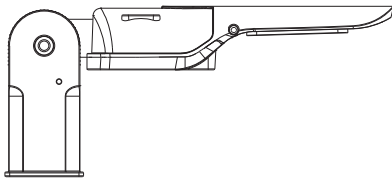
*Lumen data based on by 5000K

*The BUG based on T3 lens

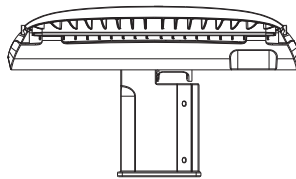
EPA

Data

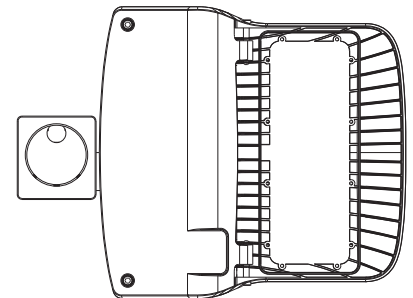
30W - 80W



EPA=0.79

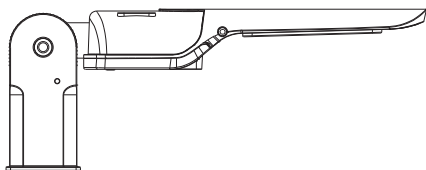


EPA=0.5959

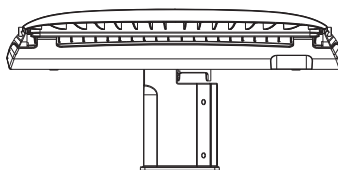


EPA=1.3534

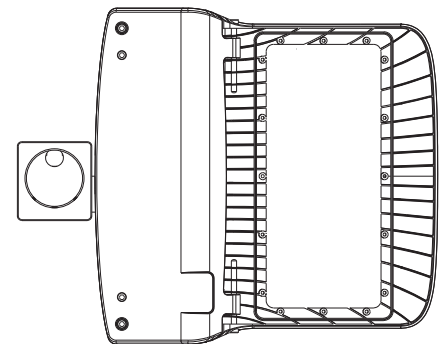
100W - 150W



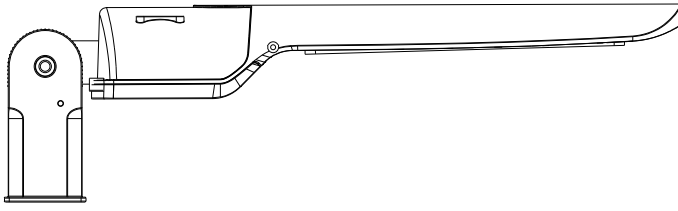
EPA=0.8968



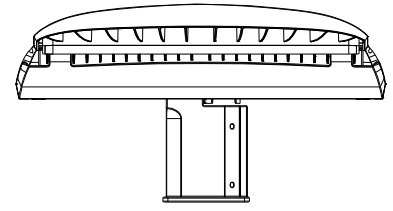
EPA=0.7257



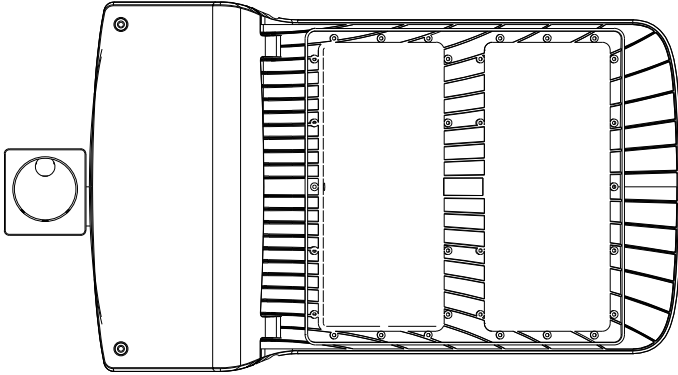
EPA=1.8696



EPA=1.485



EPA=0.8118



EPA=2.7675

ORDER Data

Sample: NBQL-100W-40-HV-T3-ARMT2

| SERIES | WATTAGE | CCT | VOLTAGE | OPTICS | FINISH* |
|--------|----------------|--|--------------------------------|--------|---|
| NBQL | 30W,50W,75W | 30 = 3000K 40 = 4000K 50 = 5000K | V = 100-277V HV = 277V-480V | T2 | BLANK = Bronze WH = White BLK = Black SVL = Silver |
| | 100W-150W-200W | | | T3 | |
| | 200W-240W-300W | | | T4 | |
| | T5 | | | | |

* contact the Nebulite sales team for turnaround time and pricing on finish color customizations

MOUNTING Options

| | | | | | |
|-------|-------------------------------|-------|------------------------------|------|--------------------------|
| SF | 2 3/8" Slip Fitter | ARMT2 | Adjustable Arm Mount (Round) | PCN | JL-205C Photocell Sensor |
| SF2 | 3" Slip Fitter | WB | Wall Mount | PIR6 | Bi-Level PIR Sensor |
| ARMT1 | Adjustable Arm Mount (Square) | SDXX | SD05C-277 / SD10C-480 | | |

| SF | SF2 | ARMT1 | ARMT2 | WB |
|--------------------|----------------|-------------------------------|------------------------------|------------|
| 2 3/8" Slip Fitter | 3" Slip Fitter | Adjustable Arm Mount (Square) | Adjustable Arm Mount (Round) | Wall Mount |

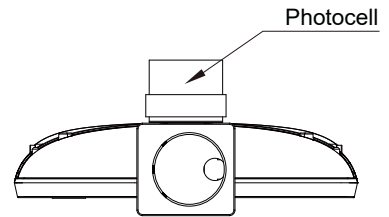
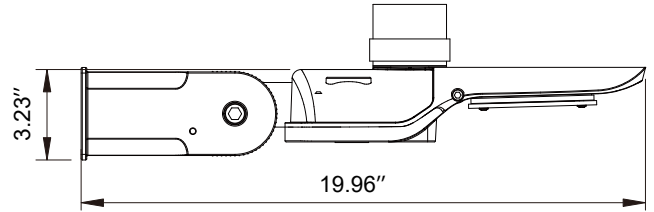
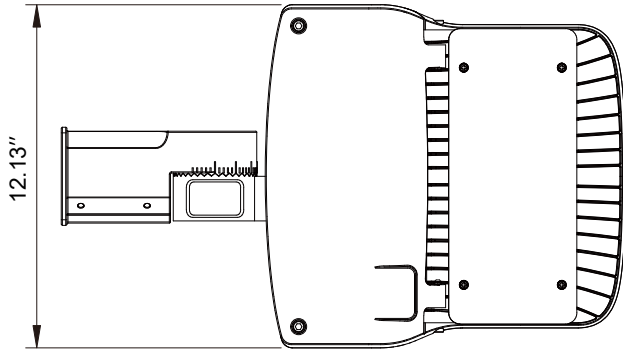
| SF | SF2 |
|--------------------|----------------|
| 2 3/8" Slip Fitter | 3" Slip Fitter |
| | |

| ARMT1 | ARMT2 |
|-------------------------------|------------------------------|
| Adjustable Arm Mount (Square) | Adjustable Arm Mount (Round) |
| | |

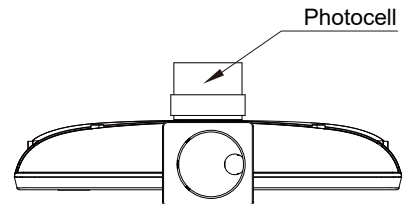
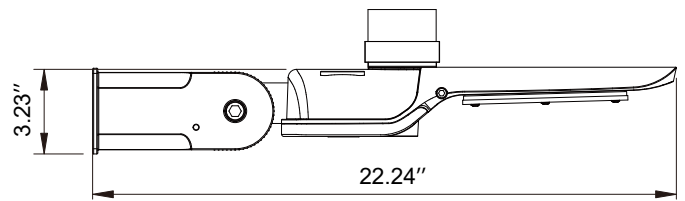
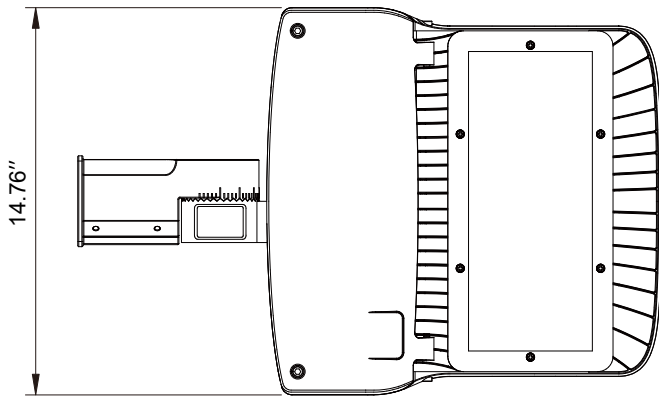
| WB |
|------------|
| Wall Mount |
| |

DIMENSIONS

30 Watt - 75 Watt Housing Size (in)

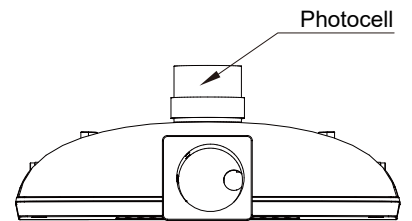
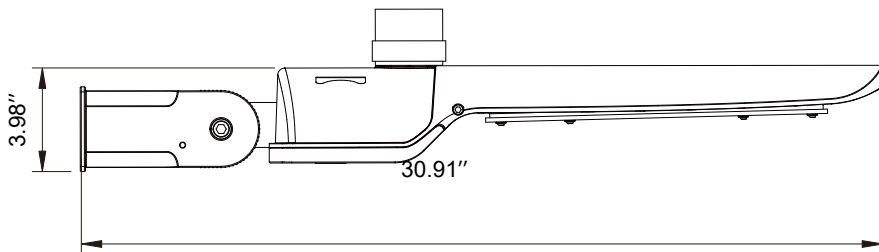
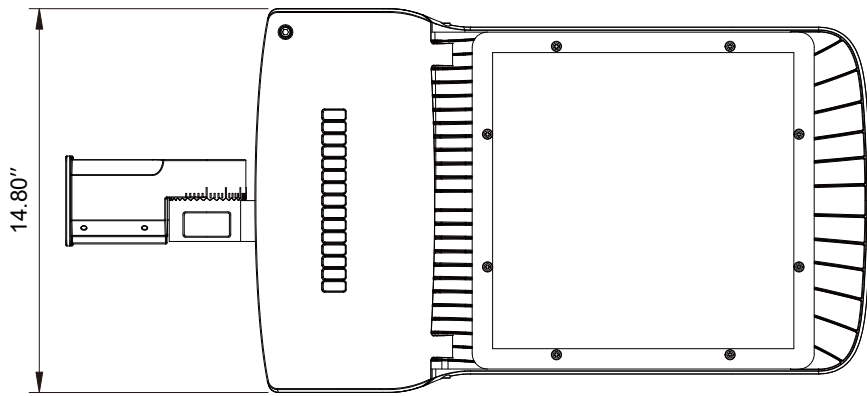


100 Watt - 150 Watt Housing Size (in)



200 Watt - 300 Watt

Housing Size (in)

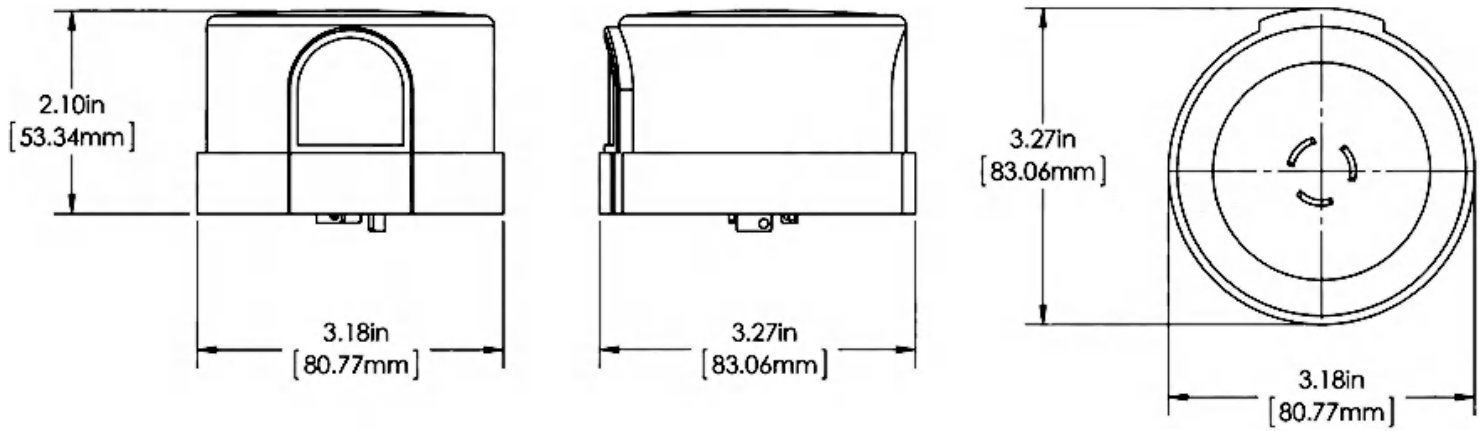


PCN 120-277V TWIST LOCK Photocell Light Sensor Switch JL-205C



| | |
|--------------------------|--------------------------------|
| Product Model | JL-205C |
| Rated Voltage | 110-277VAC |
| Applicable Voltage Range | 105-305VAC |
| Rated Frequency | 50/60Hz |
| Rated Loading | 1000W Tungsten; 1800VA Ballast |
| Power Consumption | 0.5W [STD] / 0.9W [HP] |
| On/Off Level | 16Lx On 24Lx Off |
| Ambient Temp. | -40°C ~ +70°C |
| Related Humidity | 99% |
| Overall Size | 84(Dia.) x 66mm |
| Weight Approx. | 110g [STD] / 125g [HP] |

DIMENSIONS



SDXX SD05C-277/SD10C-480 Series Pole Surge Protector

| | |
|--|--|
| | UL 1449 Type 4 CA and IEC/EN 61643-11 T2 standards |
| | With thermal protection |
| | Series or Parallel |
| | In: 5kA, 10kA |
| | UOC/Vmax: 10kV, 20kV |
| | I _{max} : 10kA, 15kA, 25kA |
| | GDT for common mode optional |
| | Rated voltage: 120V, 277V, 347V, 480V |
| | 14 AWG wire, lower clamping voltage |
| | IP 66 |

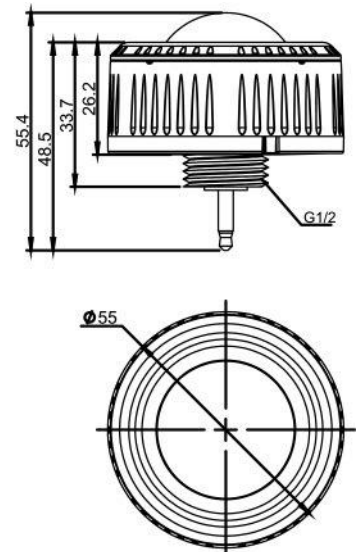
PIR6 BI-LEVEL PIR Sensor



ANT-6-4T (sensor)



RC-100



INTRODUCTION

The ANT-6-4T mounts in an Outdoor lighting fixture and provides multi-level control based on motion and/or daylight contribution. It controls 0-10 VCD LED drivers or dimming ballasts, and is rated for wet and cold locations. All control parameters are adjustable via a wireless Configuration tool Capable of storing.

| | |
|--------------------|---|
| Power supply | 12V-24V DC, >30mA |
| Dim control output | 0-10V, max. 25mA sinking current |
| Remote range | 50ft. (15m) indoor, no backlight |
| Dim control output | 0-10V |
| Detection radius | 20%/50%/75%/100% (1-8m) |
| Mounting height | Max 40ft. (12m) |
| Time setting | 10s/1min/5min/10min/15min/20min/30min/60min |
| Light-control | 24H/10LUX/30LUX/50LUX |
| Temperature | -4°F — +140°F (-20°C — +60°C) |
| IP rating | IP65 |

Upon powering the device up, the ANT-6-4T will use factory default parameters to operate. If adjustments are needed, "RC-100" Wireless IR Configuration tool must be used.

- **WARNING**

NOTE: Warm up time is 40seconds. After the sensor connects input power first time, the light will keep on 40seconds and then go to dimming to work normally.

NOTE: Factory Default Setting: 100% sensitivity, Hold on time: 5min, Daylight sensor is ☀, dimming level: 30% dimming time: 60minutes.

NOTE: Any setting changed by remote control, the LED light that sensor connect will on/off as confirm.